

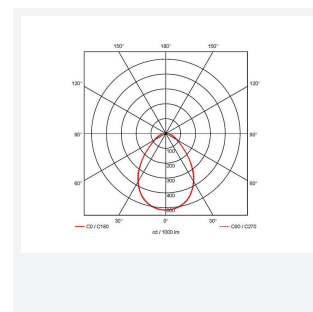
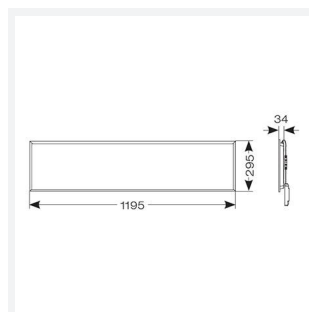
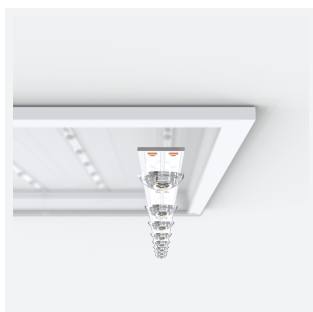


Pace 1200x300

Category Commercial Panels

Application Ancillary, Commercial, Education, Healthcare, Industrial, Retail

Code: APACLED1/30/DL/OCTO/DM3



- Backlit LED panel suitable for education, commercial and ancillary area applications
- UGR<19 (unified glare rating) compliant luminaire assisting to eliminate glare for visual comfort
- Dimmable and OCTO options available
- Switch Dim, DALI and 0-10V dimming capability using the multi dimmable driver accessories ADDIM/30/MC
- Slimline design allows for installation into shallow ceiling voids
- Cool white, warm white and daylight options
- TPa as standard
- Self-Test Panel Pod and Sensor Pod compatible

GENERAL INFORMATION

Wattage	27W
Lumens Delivered	3200lm
Lm/W	117lm/W
Beam Angle	80
CRI	80
CCT	6500K
Input	220-240V
Operating Temp	0°C - 40°C
SDCM	3
UGR	18

TECHNICAL INFORMATION

Light Source	LED
Colour / Finish	White
IP Rating	IP44
Class Protection	2
Internal / External	Internal
Surface / Recessed / Suspended	Ceiling, Recessed, Suspended
Lumen Depreciation	L80 54,000h
Warranty (Years)	5
CE Mark	Yes
Height	34 mm

