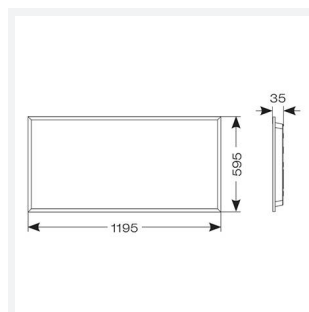
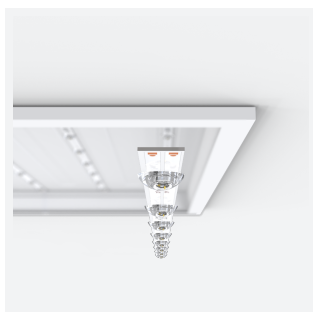




Pace 1200x600

Pace Backlit 1200x600 Panel Warm White
Code: APACLED1/120/WW

| | |
|---------------|--|
| Category | Commercial Panels |
| Application | Ancillary, Commercial, Education, Healthcare, Industrial, Retail |
| Specification | Performance |



PRODUCT FEATURES

- Backlit LED panel suitable for education, commercial and ancillary area applications
- UGR<19 (unified glare rating) compliant luminaire assisting to eliminate glare for visual comfort
- Dimmable and OCTO options available
- Switch Dim, DALI and 0-10V dimming capability using the multi dimmable driver accessories ADDIM/50/MC
- Slimline design allows for installation into shallow ceiling voids
- Cool white, warm white and daylight options
- TPa as standard
- Self-Test Panel Pod and Sensor Pod compatible

| GENERAL INFORMATION | |
|----------------------------------|--------------|
| Wattage | 46W |
| Lumens Delivered | 5300lm |
| Lm/W | 115lm/W |
| Beam Angle | 80 |
| CRI | 80 |
| CCT | 3000K |
| Input | 220-240V |
| Operating Temp | -10°C - 40°C |
| SDCM | 3 |
| UGR | 17 |
| Cut-Out Size | 585x1185mm |
| Product Weight without Packaging | 5.6 kg |

| TECHNICAL INFORMATION | |
|--------------------------------|---|
| Light Source | LED |
| Colour / Finish | White |
| IP Rating | IP44 |
| Class Protection | 2 |
| Internal / External | Internal |
| Surface / Recessed / Suspended | Ceiling, Recessed |
| Lumen Depreciation | L80 54,000h |
| Warranty (Years) | 5 |
| CE Mark | Yes |
| Height | 35 mm |
| Accessories | AIRMLD/POD/3NM/ST, AIRMLD/POD/MWS, APACLED/SK, AERMLD/120/SMF, APRK/120 |

