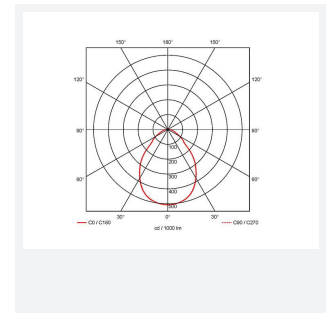
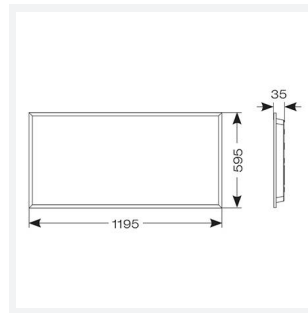


# Pace 1200x600

Pace Backlit 1200x600 Panel Daylight OCTO  
Code: APACLED1/120/DL/OCTO

|               |  |
|---------------|--|
| Category      | Commercial Panels  |
| Application   | Ancillary, Commercial, Education, Healthcare, Industrial, Retail |
| Specification | Performance  |



## PRODUCT FEATURES

- Backlit LED panel suitable for education, commercial and ancillary area applications
- UGR<19 (unified glare rating) compliant luminaire assisting to eliminate glare for visual comfort
- Dimmable and OCTO options available
- Switch Dim, DALI and 0-10V dimming capability using the multi dimmable driver accessories ADDIM/50/MC
- Slimline design allows for installation into shallow ceiling voids
- Cool white, warm white and daylight options
- TPa as standard
- Self-Test Panel Pod and Sensor Pod compatible

| GENERAL INFORMATION |              |
|---------------------|--------------|
| Wattage             | 46W          |
| Lumens Delivered    | 5500lm       |
| Lm/W                | 120lm/W      |
| Beam Angle          | 80           |
| CRI                 | 80           |
| CCT                 | 6500K        |
| Input               | 220/240V     |
| Operating Temp      | -10°C - 40°C |
| SDCM                | 3            |
| UGR                 | 17           |
| Cut-Out Size        | 585x1185mm   |

| TECHNICAL INFORMATION          |   |
|--------------------------------|---|
| Light Source                   | LED   |
| Colour / Finish                | White   |
| IP Rating                      | IP44  |
| Class Protection               | 2   |
| Internal / External            | Internal  |
| Surface / Recessed / Suspended | Ceiling, Recessed   |
| Lumen Depreciation             | L80 54,000h   |
| Warranty (Years)               | 5   |
| CE Mark                        | Yes   |
| Height                         | 35 mm   |
| Accessories                    | AIRMLD/POD/3NM/ST, AIRMLD/POD/MWS, APACLED/SK, AERMLD/120/SMF, APRK/120 |

