

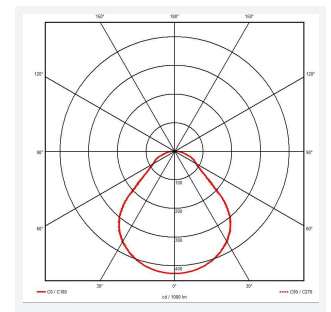
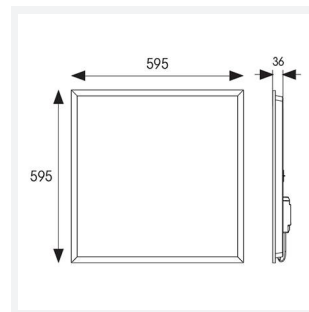
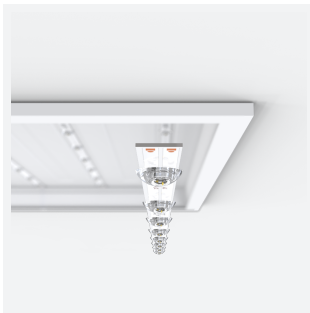


Pace CCT 600x600

Category Commercial Panels

Application Ancillary, Commercial, Education, Healthcare, Industrial, Retail

Code: APAC2/60/1/LO/CCT/OCTO



- Backlit LED panel suitable for education, commercial and ancillary area applications
- Integral switch allows the installer a choice of 3000K, 4000K and 6500K colour temperature
- TPa as standard
- Self-Test Panel Pod and Sensor Pod compatible
- Slimline design allows for installation into shallow ceiling voids
- Dimmable and OCTO options available
- Switch Dim, DALI and 0-10V dimming capability using the multi dimmable driver accessories ADDIM/30/MC

GENERAL INFORMATION

| | |
|------------------|-----------------|
| Wattage | 20W |
| Lumens Delivered | 2500lm (4000K) |
| Lm/W | 125lm/W |
| Beam Angle | 110 |
| CRI | 80 |
| CCT | 3000/4000/6500K |
| Input | 220-240V |
| Operating Temp | -20°C - 40°C |
| UGR | 20 |
| Cut-Out Size | 585x585mm |

TECHNICAL INFORMATION

| | |
|--------------------------------|------------------------------|
| Light Source | LED |
| Colour / Finish | White |
| IP Rating | IP40 |
| Class Protection | 2 |
| Internal / External | Internal |
| Surface / Recessed / Suspended | Ceiling, Recessed, Suspended |
| Lumen Depreciation | L80 60,000h |
| Warranty (Years) | 5 |
| CE Mark | Yes |
| Height | 32 mm |

