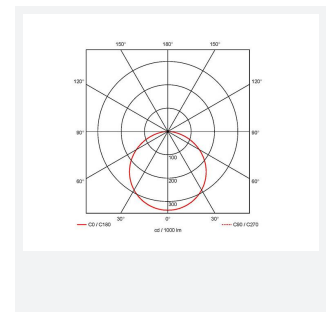
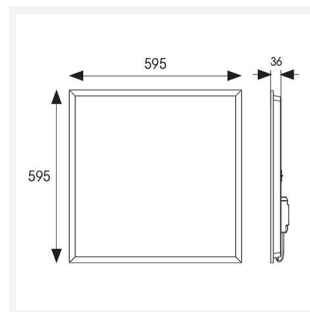
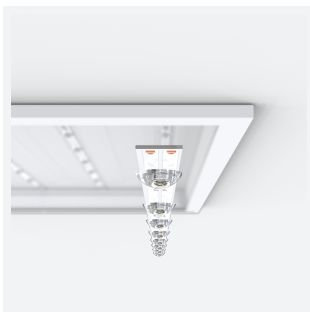




Pace CCT 600x600

Pace Backlit CCT 600x600 Panel DALI
Code: APAC2/60/1/CCT/DD3

Category	Commercial Panels
Application	Ancillary, Commercial, Education, Healthcare, Industrial, Retail
Specification	Performance



PRODUCT FEATURES

- Backlit LED panel suitable for education, commercial and ancillary area applications
- TPb as standard
- Slimline design allows for installation into shallow ceiling voids
- Self-Test Panel Pod and Sensor Pod compatible

GENERAL INFORMATION	
Wattage	30W
Lumens Delivered	3600lm (4000K)
Lm/W	120lm/w
Beam Angle	110
CRI	80
CCT	3000/4000/6500K
Input	220-240V
Operating Temp	-20°C - 40°C
SDCM	6
UGR	21
Cut-Out Size	585x585mm
Product Weight without Packaging	1.431 kg

TECHNICAL INFORMATION	
Light Source	LED
Colour / Finish	White
IP Rating	IP40
Class Protection	2
Internal / External	Internal
Surface / Recessed / Suspended	Ceiling, Recessed, Suspended
Lumen Depreciation	L80 60,000h
Warranty (Years)	5
CE Mark	Yes
Height	32 mm

