

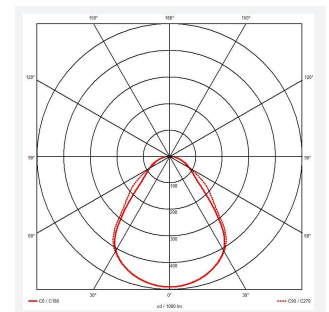
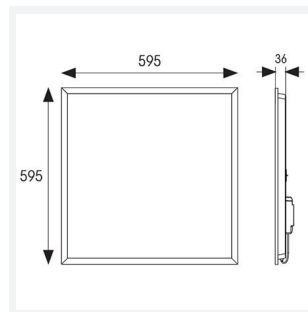
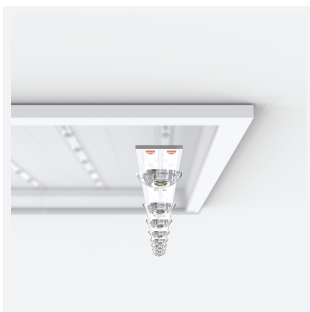


# Pace UGR<19 Tunable White

Code: APAC1/60/1/TW/OCTO

**Application** Commercial, Education, Healthcare, Hospitality, Retail

**Specification** Architectural



- Backlit LED panel suitable for education, commercial and ancillary area applications
- UGR<19 (unified glare rating) compliant luminaire assisting to eliminate glare for visual comfort
- One product provides complete control of colour temperature selection, ranging between 2700K and 6500K. Colour selection achieved via the Casambi App
- Self-Test Panel Pod and Sensor Pod compatible
- Slimline design allows for installation into shallow ceiling voids
- TPa as standard
- Full dimming control and circadian rhythm option via Casambi App

## GENERAL INFORMATION

Wattage	40W
Lumens Delivered	3600lm - 4000lm (2700K - 6500K)
Lm/W	100lm/w
Beam Angle	90
CRI	80
CCT	3000/4000/6500K
Input	220-240V
Operating Temp	-20°C - 40°C
SDCM	3
UGR	18

## TECHNICAL INFORMATION

Light Source	LED
Colour / Finish	White
IP Rating	IP40
Class Protection	2
Internal / External	Internal
Surface / Recessed / Suspended	Ceiling, Recessed, Suspended
Lumen Depreciation	L80 60,000h
Warranty (Years)	5
CE Mark	Yes
Height	32 mm

