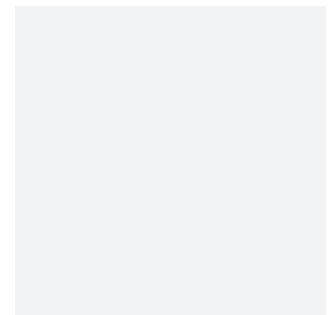
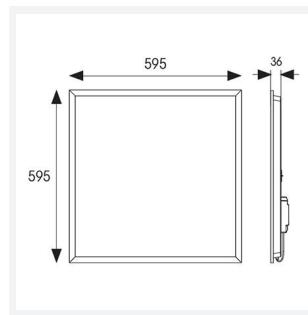
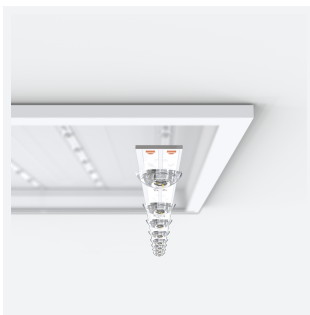




Pace UGR<19 600x600

Pace Backlit 600x600 Panel Low Output UGR<19
Code: APAC1/60/1/LO/DL/DM3

| | |
|---------------|--|
| Category | Commercial Panels |
| Application | Ancillary, Commercial, Education, Healthcare, Industrial, Retail |
| Specification | Performance |



PRODUCT FEATURES

- Backlit LED panel suitable for education, commercial and ancillary area applications
- UGR<19 (unified glare rating) compliant luminaire assisting to eliminate glare for visual comfort
- Dimmable and OCTO options available
- Switch Dim, DALI and 0-10V dimming capability using the multi dimmable driver accessories ADDIM/30/MC
- Slimline design allows for installation into shallow ceiling voids
- Cool white, warm white and daylight options
- TPa as standard
- Self-Test Panel Pod and Sensor Pod compatible

| GENERAL INFORMATION | |
|---------------------|------------|
| Wattage | 20W |
| Lumens Delivered | 2300lm |
| Lm/W | 115lm/W |
| Beam Angle | 90 |
| CRI | 80 |
| CCT | 6500K |
| Input | 220/240V |
| Operating Temp | 0°C - 40°C |
| SDCM | 3 |
| UGR | 16 |
| Cut-Out Size | 585x585mm |

| TECHNICAL INFORMATION | |
|--------------------------------|------------------------------|
| Light Source | LED |
| Colour / Finish | White |
| IP Rating | IP40 |
| Class Protection | 2 |
| Internal / External | Internal |
| Surface / Recessed / Suspended | Ceiling, Recessed, Suspended |
| Lumen Depreciation | L80 60,000h |
| Warranty (Years) | 5 |
| CE Mark | Yes |
| Height | 32 mm |

