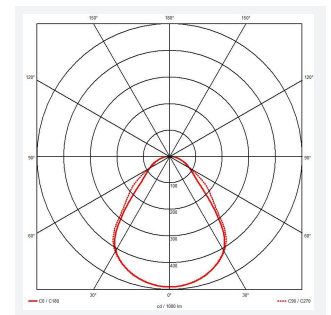
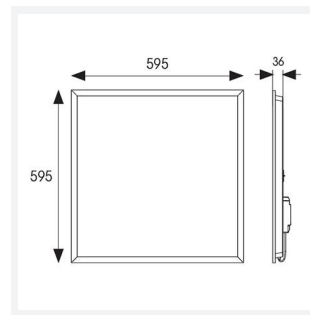




# Pace UGR<19 600x600

Pace Backlit 600x600 Panel Low Output UGR<19  
Code: APAC1/60/1/LO/CW/DD1/DM3

Category	Commercial Panels
Application	Ancillary, Commercial, Education, Healthcare, Industrial, Retail
Specification	Performance



## PRODUCT FEATURES

- Backlit LED panel suitable for education, commercial and ancillary area applications
- UGR<19 (unified glare rating) compliant luminaire assisting to eliminate glare for visual comfort
- One product provides complete control of colour temperature selection, ranging between 2700K and 6500K. Colour selection achieved via the Casambi App
- Self-Test Panel Pod and Sensor Pod compatible
- Slimline design allows for installation into shallow ceiling voids
- TPa as standard
- Full dimming control and circadian rhythm option via Casambi App

GENERAL INFORMATION	
Wattage	20W
Lumens Delivered	2300lm
Lm/W	115lm/W
Beam Angle	90
CRI	80
CCT	4000K
Input	220/240V
Operating Temp	0°C - 40°C
SDCM	3
UGR	16
Cut-Out Size	585x585mm

TECHNICAL INFORMATION	
Light Source	LED
Colour / Finish	White
IP Rating	IP40
Class Protection	2
Internal / External	Internal
Surface / Recessed / Suspended	Ceiling, Recessed, Suspended
Lumen Depreciation	L80 60,000h
Warranty (Years)	5
CE Mark	Yes
Height	32 mm

