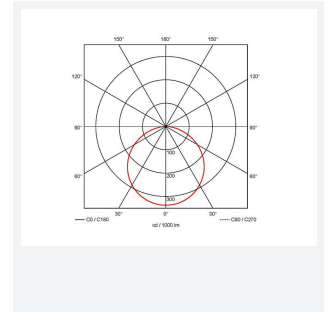
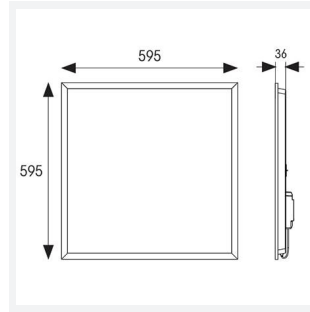
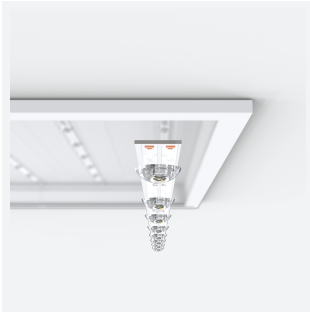


# Pace CCT MultiWattage 600x600 UGR<19

Pace Backlit CCT Multi Wattage 600x600 Panel  
Code: APAC1/60/1/DM3

Category	Commercial Panels
Application	Ancillary, Commercial, Education, Healthcare, Industrial, Retail
Specification	Performance



## PRODUCT FEATURES

- Backlit LED panel suitable for education, commercial and ancillary area applications
- CCT selectable between 3000K, 4000K and 6500K and power selectable; offering a choice of 3 outputs, in one luminaire
- Dimmable and OCTO options available
- Switch Dim, DALI and 0-10V dimming capability using the multi dimmable driver accessories ADDIM/30/MC
- Slimline design allows for installation into shallow ceiling voids
- UGR<19 (unified glare rating) compliant luminaire assisting to eliminate glare for visual comfort
- TPa as standard
- Self-Test Panel Pod and Sensor Pod compatible

GENERAL INFORMATION	
Wattage	20W - 30W
Lumens Delivered	2500lm - 3700lm(4000K)
Lm/W	125lm/W (4000K)
Beam Angle	90
CRI	80
CCT	3000K-4000K-6500K
Input	220/240V
Operating Temp	0°C - 40°C
SDCM	3
UGR	19
Cut-Out Size	585x585mm
Energy efficiency class	E
Product Weight without Packaging	2.26 kg

TECHNICAL INFORMATION	
Light Source	LED
Colour / Finish	White
IP Rating	IP40
Class Protection	2
Internal / External	Internal
Lumen Depreciation	L80 60,000h
Warranty (Years)	5
CE Mark	Yes

