

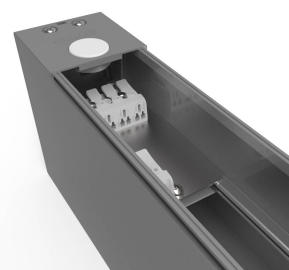
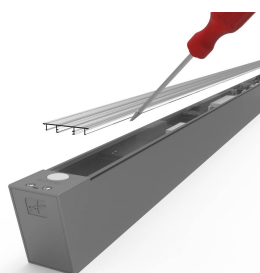
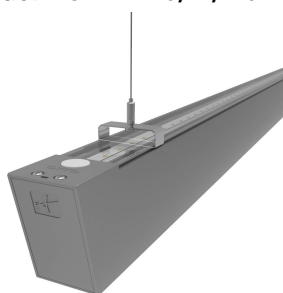


Category	Commercial Linear
Application	Commercial, Education
Specification	Architectural

Otto EVO

Otto EVO CCT Suspended Linear 1500mm Emergency White

Code: AOTEVLED5/W/M3



PRODUCT FEATURES

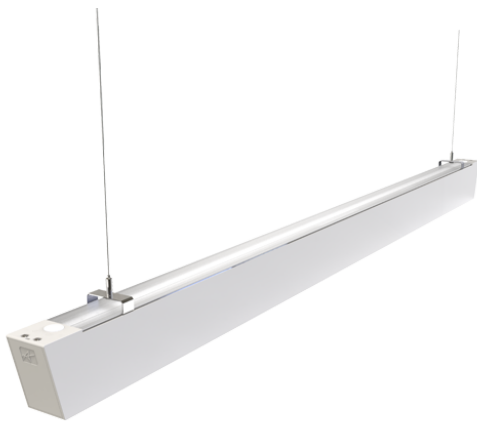
- Architectural suspended linear for office, retail and educational applications
- Adjustable bracket system allows complete flexibility for mounting installation
- Selectable CCT between 3000K and 4000K output
- Suitable for individual or continuous suspension
- Slim profile available in white and aluminium finishes
- Specially designed diffuser allows installer quick access to wiring ensuring a quick and easy installation
- Supplied bidirectional light output as standard (directional only option can be selected if required)
- Die-Cast aluminium end caps

GENERAL INFORMATION

Wattage	25W - 42W
Lumens Delivered	2800lm - 4200lm (4000K)
Lm/W	112lm/W (4000K)
Beam Angle	110
CRI	80
CCT	3000/4000K
Input	220-240V
Operating Temp	0°C - 25°C
SDCM	3
UGR	23
Product Weight without Packaging	4.72 kg

TECHNICAL INFORMATION

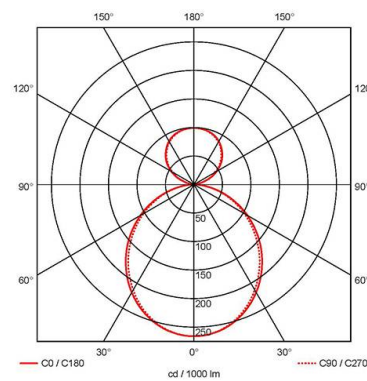
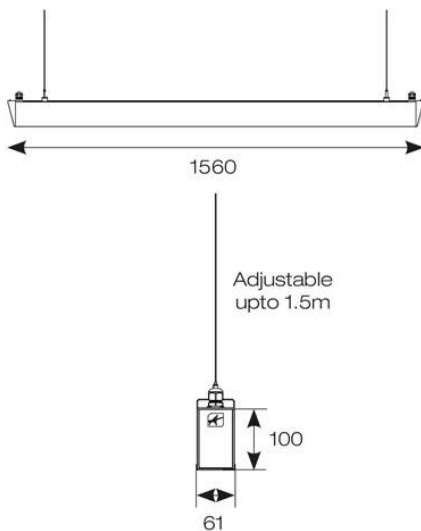
Light Source	LED
Colour / Finish	White
IP Rating	IP20
Class Protection	1
Internal / External	Internal
Surface / Recessed / Suspended	Suspended
Lumen Depreciation	L80 60,000h
Warranty (Years)	5
CE Mark	Yes
Height	100 mm
Accessories	AOTEVLED/90, AOTEVLED/90/W, AOTEVLED500, AOTEVLED1000, AOTEVLED1500
Emergency Output Duration	3 Hr



Category	Commercial Linear
Application	Commercial, Education
Specification	Architectural

Otto EVO

Otto EVO CCT Suspended Linear 1500mm Emergency White
Code: AOTEVLED5/W/M3



ACCESSORIES

AOTEVLED500	Otto EVO CCT 500mm Infill Aluminium
AOTEVLED/90/W	Otto EVO CCT Corner White
AOTEVLED1000	Otto EVO CCT 1000mm Infill Aluminium
AOTEVLED1500	Otto EVO CCT Twin 1500mm Infill Aluminium
AOTEVLED/90	Otto EVO CCT Corner Aluminium

