



# Otto Evo



Part of the Commercial Linear product category

<b>Model</b>	Otto EVO CCT Suspended Linear 1500mm OCTO Smart Control Aluminium
<b>Code</b>	AOTEVLED5/OCTO
<b>Application</b>	Commercial, Education

## GENERAL INFORMATION

<b>Input</b>	220-240V
<b>Wattage</b>	42W
<b>Operating Temp</b>	0°C - 25°C
<b>Lumens Delivered</b>	2800lm - 4200lm (4000K)
<b>lm/W</b>	112lm/W (4000K)
<b>CCT</b>	3000/4000K
<b>UGR</b>	23
<b>Beam Angle</b>	110

## MATERIAL INFORMATION

<b>Product Weight without</b>	4.72 kg
<b>Packaging</b>	
<b>Colour / Finish</b>	Aluminium
<b>Height</b>	100 mm

## TECHNICAL INFORMATION

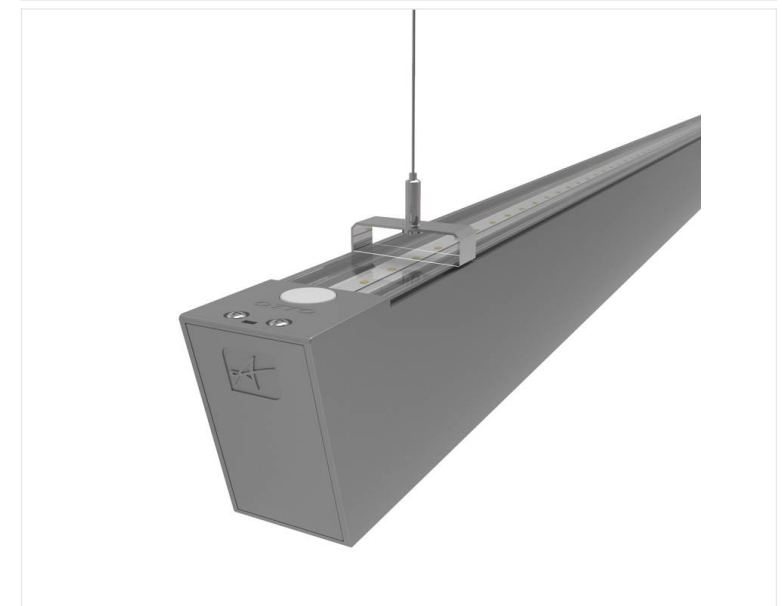
<b>Class Protection</b>	1
<b>Light Source</b>	LED
<b>SDCM (Initial Macadam)</b>	3
<b>CRI</b>	80
<b>Internal / External</b>	Internal
<b>Surface / Recessed / Suspended</b>	Suspended
<b>L70 @ 25°C</b>	L70 B50 60,000h

## PRODUCT FEATURES

- Architectural suspended linear for office, retail and educational applications
- Slim profile available in white and aluminium finishes
- Adjustable bracket system allows complete flexibility for mounting installation
- Specially designed diffuser allows installer quick access to wiring ensuring a quick and easy installation
- Selectable CCT between 3000K and 4000K output

## ACCESSORIES

AOTEVLED500	Otto EVO CCT 500mm Infill Aluminium
AOTEVLED/90/W	Otto EVO CCT Corner White
AOTEVLED1000	Otto EVO CCT 1000mm Infill Aluminium
AOTEVLED1500	Otto EVO CCT Twin 1500mm Infill Aluminium
AOTEVLED/90	Otto EVO CCT Corner Aluminium





# Otto Evo



Part of the Commercial Linear product category

**Model** Otto EVO CCT Suspended Linear 1500mm OCTO Smart Control Aluminium

**Code** AOTEVLED5/OCTO

**Application** Commercial, Education

