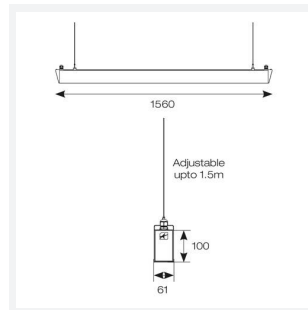
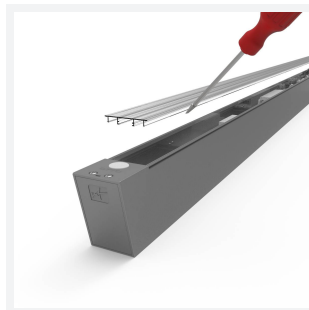


Otto EVO

Otto EVO CCT Suspended Linear 1500mm DALI
Code: AOTEVLED5/DD3

| | |
|---------------|-----------------------|
| Category | Commercial Linear |
| Application | Commercial, Education |
| Specification | Architectural |



PRODUCT FEATURES

- Architectural suspended linear for office, retail and educational applications
- Adjustable bracket system allows complete flexibility for mounting installation
- Selectable CCT between 3000K and 4000K output
- Suitable for individual or continuous suspension
- Slim profile available in white and aluminium finishes
- Specially designed diffuser allows installer quick access to wiring ensuring a quick and easy installation
- Supplied bidirectional light output as standard (directional only option can be selected if required)
- Die-Cast aluminium end caps

| GENERAL INFORMATION | |
|----------------------------------|-------------------------|
| Wattage | 25W - 42W |
| Lumens Delivered | 2800lm - 4200lm (4000K) |
| Lm/W | 112lm/W (4000K) |
| Beam Angle | 110 |
| CRI | 80 |
| CCT | 3000/4000K |
| Input | 220/240V |
| Operating Temp | 0°C - 25°C |
| SDCM | 3 |
| UGR | 23 |
| Product Weight without Packaging | 4.72 kg |

| TECHNICAL INFORMATION | |
|--------------------------------|---|
| Light Source | LED |
| Colour / Finish | Aluminium |
| IP Rating | IP20 |
| Class Protection | 1 |
| Internal / External | Internal |
| Surface / Recessed / Suspended | Suspended |
| Lumen Depreciation | L80 60,000h |
| Warranty (Years) | 5 |
| CE Mark | Yes |
| Height | 100 mm |
| Accessories | AOTEVLED/90, AOTEVLED/90/W, AOTEVLED500, AOTEVLED1000, AOTEVLED1500 |

