



Otto Evo



Part of the Commercial Linear product category

Model	Otto EVO CCT Suspended Linear Twin 1500mm Emergency Aluminium
Code	AOTEVLED2X5/M3
Application	Commercial, Education

GENERAL INFORMATION

Input	220-240V
Wattage	58W - 66W
Operating Temp	0°C - 25°C
Lumens Delivered	7100lm - 8000lm (4000K)
lm/W	122lm/W (4000K)
CCT	3000/4000K
UGR	25
Beam Angle	110

MATERIAL INFORMATION

Product Weight without	4.72 kg
Packaging	
Colour / Finish	Aluminium
Height	100 mm

TECHNICAL INFORMATION

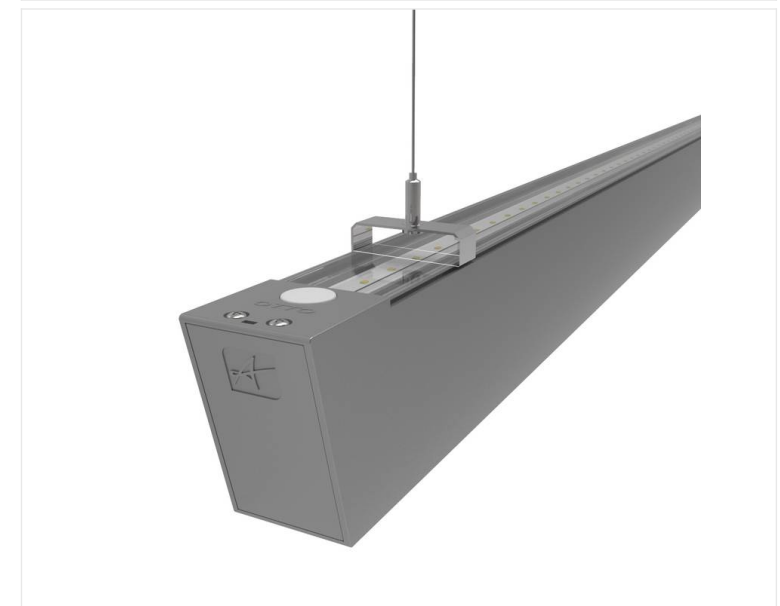
Class Protection	1
Light Source	LED
SDCM (Initial Macadam)	3
CRI	80
Internal / External	Internal
Surface / Recessed / Suspended	Suspended
L70 @ 25°C	L70 B50 60,000h

PRODUCT FEATURES

- Architectural suspended linear for office, retail and educational applications
- Slim profile available in white and aluminium finishes
- Adjustable bracket system allows complete flexibility for mounting installation
- Specially designed diffuser allows installer quick access to wiring ensuring a quick and easy installation
- Selectable CCT between 3000K and 4000K output

ACCESSORIES

AOTEVLED500	Otto EVO CCT 500mm Infill Aluminium
AOTEVLED/90/W	Otto EVO CCT Corner White
AOTEVLED1000	Otto EVO CCT 1000mm Infill Aluminium
AOTEVLED1500	Otto EVO CCT Twin 1500mm Infill Aluminium
AOTEVLED/90	Otto EVO CCT Corner Aluminium





Otto Evo



Part of the Commercial Linear product category



Model Otto EVO CCT Suspended Linear Twin 1500mm Emergency Aluminium

Code AOTEVLED2X5/M3

Application Commercial, Education

