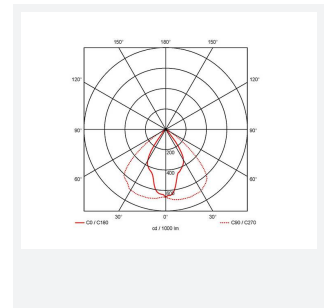
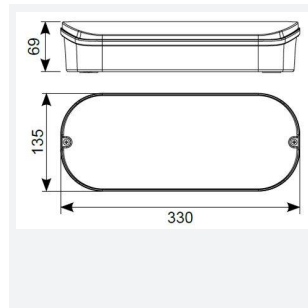


Osprey High Rack

| | |
|---------------|-------------|
| Category | Emergency |
| Application | Industrial |
| Specification | Performance |

Code: AOSLED/3M/ST



- Modern slim profile IP65 LED polycarbonate bulkhead
- High performance LEDs and optical performance allows increased spacing ratios
- Aesthetically designed for modern appearance

- Compact high polished reflector design to provide required light level from high mounting heights
- Self-test as standard
- 20mm side and rear cable entries

GENERAL INFORMATION

| | |
|----------------------------------|-------------------------------------|
| Wattage | 8W |
| Lumens Delivered | 405lm (Emergency), 550lm (Standard) |
| Beam Angle | 60/100 |
| CRI | 70 |
| CCT | 6500K |
| Input | 220-240V |
| Operating Temp | 0°C - 40°C |
| SDCM | 6 |
| Product Weight without Packaging | 1.177 kg |

TECHNICAL INFORMATION

| | |
|--------------------------------|---------------------|
| Light Source | LED |
| Colour / Finish | White |
| IP Rating | IP65 |
| Class Protection | 1 |
| Internal / External | Internal / External |
| Surface / Recessed / Suspended | Ceiling, Wall |
| Lumen Depreciation | L70 50,000h |
| Warranty (Years) | 5 |
| CE Mark | Yes |
| Height | 69 mm |

