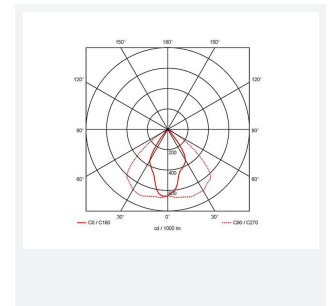
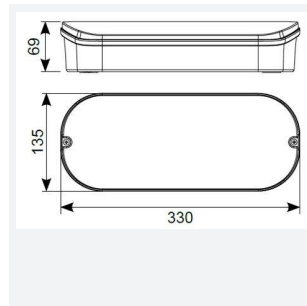


Osprey High Rack Cold Store

Category	Emergency
Application	Industrial
Specification	Performance

Code: AOSLED/3M/CS



- Modern slim profile IP65 LED polycarbonate bulkhead
- High performance LEDs and optical performance allows increased spacing ratios
- Self-test as standard
- 20mm side and rear cable entries

- Compact high polished reflector design to provide required light level from high mounting heights
- Cold store option incorporates an intelligent integral heat management system to operate in cold store applications down to -30°C
- Aesthetically designed for modern appearance

GENERAL INFORMATION

Wattage	22W
Lumens Delivered	354lm (Emergency), 445lm (Standard)
Beam Angle	60/100
CRI	70
CCT	6500K
Input	220-240V
Operating Temp	-30°C - 5°C
SDCM	6
Product Weight without Packaging	1.2 kg

TECHNICAL INFORMATION

Light Source	LED
Colour / Finish	White
IP Rating	IP65
Class Protection	1
Internal / External	Internal / External
Surface / Recessed / Suspended	Ceiling, Wall
Lumen Depreciation	L70 50,000h
Warranty (Years)	3
CE Mark	Yes
Height	69 mm

