

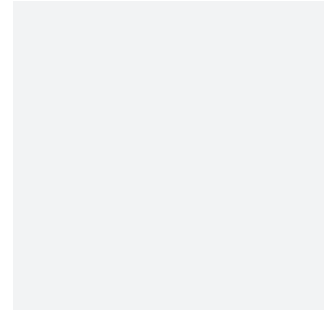
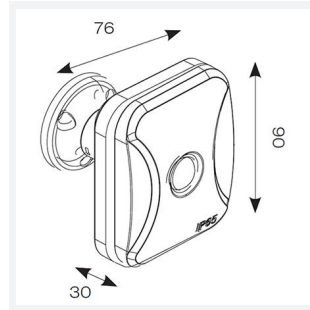


# OCTO Outdoor Smart PIR Sensor Connected by WIZ

OCTO WIZ Connected Outdoor PIR Sensor

Code: AOCTOW/B/PIR/IP65-S

Category	Smart Lighting
Application	Hospitality, Residential, Retail
Specification	Architectural



- IP65 external Wifi enabled PIR sensor suitable for residential and small-scale commercial applications
- Infrared PIR detector and photocell
- Typical battery lifetime 1 year (on assumption 50 actions per day, battery capacity 2800 mAh)
- Please note the WIZ app does not support light level monitoring on battery operated sensors, due to heavy battery drain. However other methods of control can be achieved through the Alexa App
- Compatible with all other OCTO Connected by WIZ devices
- Detection range strength: 1) Strong detection zone i.e. person moving arm or walking towards PIR 2) Secondary detection zone i.e. person walking perpendicular to PIR
- Battery powered using 2 x AA batteries (not supplied)
- Motion sensor must be within 15m of light fitting to operate

## GENERAL INFORMATION

Input	3V
Operating Temp	-20°C - 45°C
Product Weight without Packaging	0.148

## TECHNICAL INFORMATION

Colour / Finish	Black
IP Rating	IP65
Class Protection	3
Internal / External	External
Surface / Recessed / Suspended	Ceiling, Wall
Warranty (Years)	4
CE Mark	Yes

