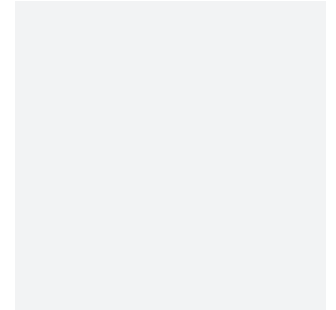
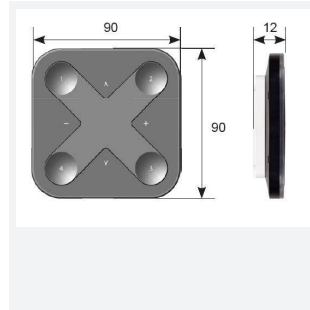
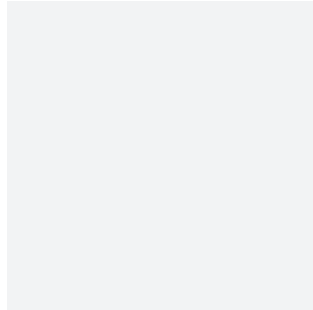
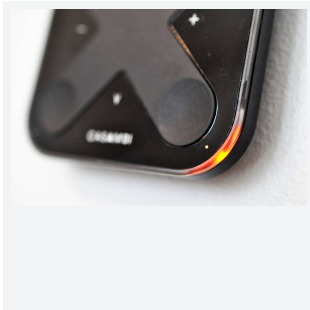




Category	Smart Lighting
Application	Commercial, Hospitality, Retail
Specification	Architectural

OCTO Indoor Wireless Xpress Smart Switch

OCTO Indoor Wireless Xpress Smart Switch White
Code: AOCTO/XP/WS/W



PRODUCT FEATURES

- Bluetooth enabled internal smart switches for use with OCTO Casambi eco-system and suitable for residential and commercial applications
- Settings easily commissioned by a smart device via the OCTO app
- Integrated magnets ensure easy attachment to mounting bracket (mounting bracket supplied with switch)
- Multifunctional 4 way bluetooth enabled smart switch
- Compatible with all other bluetooth OCTO Casambi devices as part of the OCTO Casambi ecosystem
- Range - within one room up to 30 metres line of sight

GENERAL INFORMATION

Product Weight without Packaging 0.087

TECHNICAL INFORMATION

Colour / Finish White
 IP Rating IP20
 Internal / External Internal
 Surface / Recessed / Suspended Wall
 Warranty (Years) 5
 CE Mark Yes
 Height 90 mm

