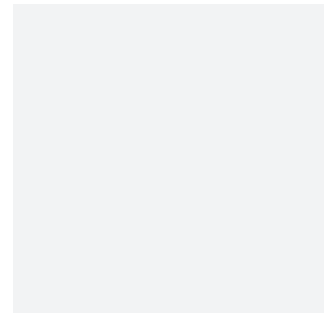
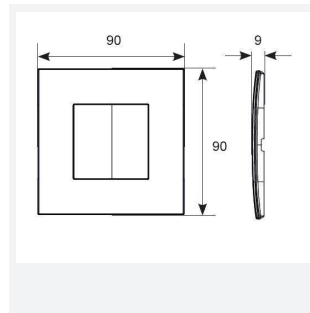
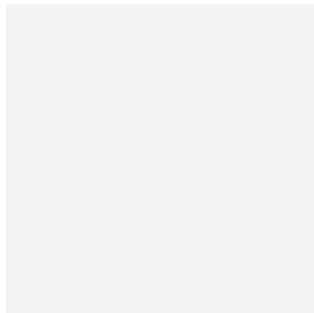
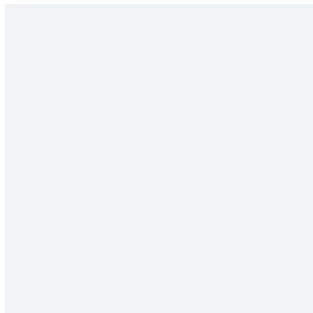


<b>Category</b>	Smart Lighting
<b>Application</b>	Commercial, Hospitality, Retail
<b>Specification</b>	Architectural

**Code:** AOCTO/WS/B



- Bluetooth enabled internal smart switch for use with OCTO Casambi eco-system and suitable for residential and commercial applications
- High grade technopolymer construction available in 3 finishes:- white, metallic and black
- Compatible with all other bluetooth OCTO Casambi devices as part of the OCTO Casambi ecosystem
- Double-sided mounting film enclosed screwing onto a flat surface
- Double rocker wireless wall switch
- Electro-dynamic energy generator, maintenance free
- Range - within one room up to 10 metres line of sight
- Double rocker with medial position, pressed/released

#### GENERAL INFORMATION

Product Weight without Packaging 0.053

#### TECHNICAL INFORMATION

Colour / Finish	Black
IP Rating	IP20
Internal / External	Internal
Surface / Recessed / Suspended	Wall
Warranty (Years)	5
CE Mark	Yes
Height	90 mm

