

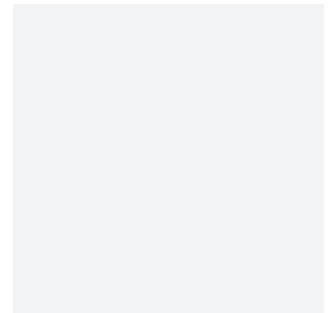
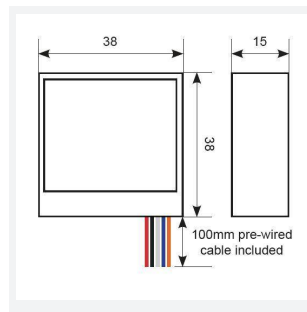
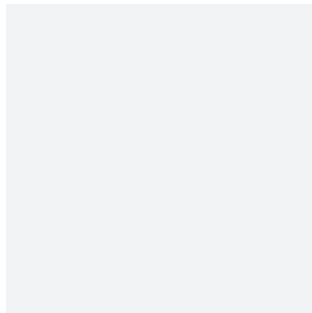
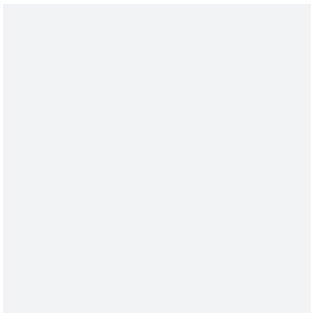
Category Smart Lighting

Application Commercial, Hospitality, Retail

Specification Architectural

OCTO 4 Channel Push to Make Switch Interface

Code: AOCTO/SR



- Bluetooth enabled smart 4 channel push to make switch interface
- Compatible with all other bluetooth OCTO Casambi devices as part of the OCTO Casambi ecosystem
- Pre-wired ensuring a fast and easy installation into pre-existing wall switch
- 3V lithium battery operated negating the requirement for mains wiring
- Unit retrofits into existing push switch, making it smart enabled
- Slim 15mm profile suitable for installation into 35mm recessed pattress
- Compact housing allows installation into pre-existing wall box so no additional work is required
- Can be used to control a group, sub groups or individual luminaires on a 1-4 button push switch

GENERAL INFORMATION

Product Weight without Packaging 0.026

TECHNICAL INFORMATION

Colour / Finish	Black
IP Rating	IP20
Internal / External	Internal
Surface / Recessed / Suspended	Recessed
Warranty (Years)	5
CE Mark	Yes
Height	38 mm

