

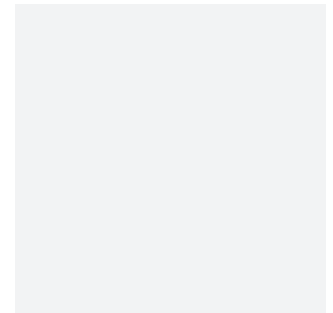
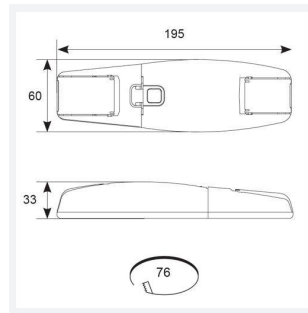
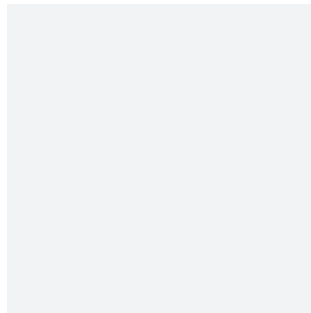


Category	Smart Lighting
Application	Commercial, Hospitality, Retail
Specification	Architectural

OCTO Indoor Controller Powered by Casambi

OCTO Indoor Controller 200W

Code: AOCTO/IC/200



- Bluetooth enabled internal smart controller for use with the OCTO Casambi
- Screw-less design
- Intuitive fast operation from a smart lighting App
- Can be used to control a group, sub groups or individual luminaires
- Push-fit loop-in, loop-out terminals for ease and speed of installation
- Compatible with all other bluetooth OCTO Casambi devices as part of the OCTO Casambi ecosystem
- Future proofed free software and firmware updates
- Settings easily commissioned by a smart device

GENERAL INFORMATION

Wattage	200W
Input	220-240V
Operating Temp	-20°C - 50°C
Product Weight without Packaging	0.148

TECHNICAL INFORMATION

Colour / Finish	Black
IP Rating	IP20
Class Protection	1
Internal / External	Internal
Warranty (Years)	5
CE Mark	Yes
Height	33 mm

