

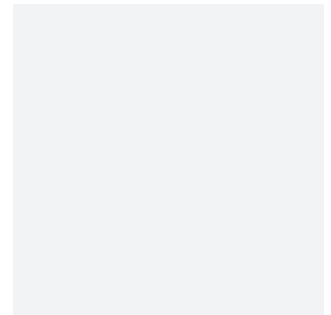
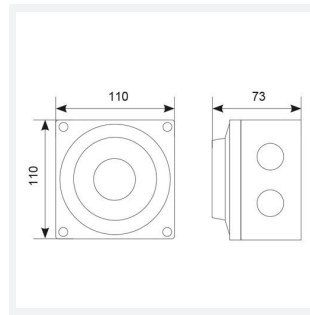
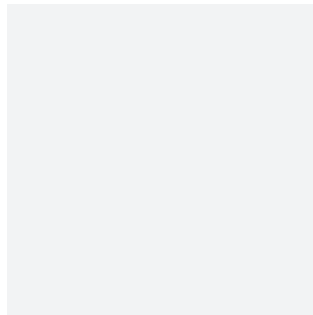
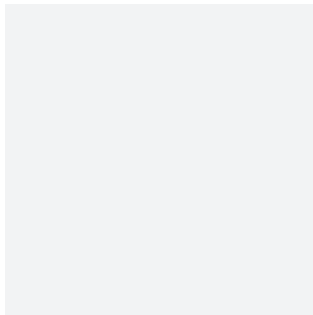


**Category** Smart Lighting

**Application** Commercial, Hospitality, Retail

**Specification** Architectural

**Code:** AOCTO/BT/PIR/IP66/HBSP



- Bluetooth enabled surface and recessed smart PIR sensors for use with OCTO Casambi ecosystem and suitable for commercial applications
- Infrared PIR detector and photocell
- Fast and easy commissioning via the App
- Compatible with all other bluetooth OCTO Casambi devices as part of the OCTO Casambi ecosystem
- Suitable for industrial high bay racking aisle applications with high mounting points (up to 20 metres)

#### GENERAL INFORMATION

Input	100/240V
Operating Temp	-20°C - 40°C
Product Weight without Packaging	0.263

#### TECHNICAL INFORMATION

Colour / Finish	White
IP Rating	IP66
Class Protection	2
Internal / External	Internal
Surface / Recessed / Suspended	Ceiling
Warranty (Years)	5
CE Mark	Yes
Height	73 mm

