



OCTO IP65 Smart PIR Sensor Powered by Casambi

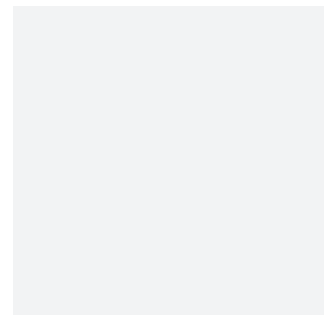
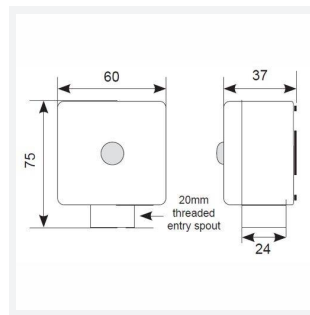
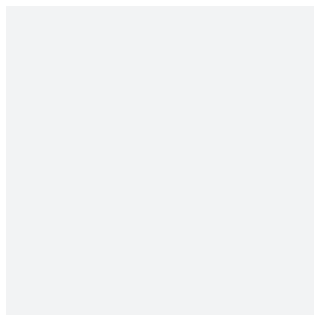
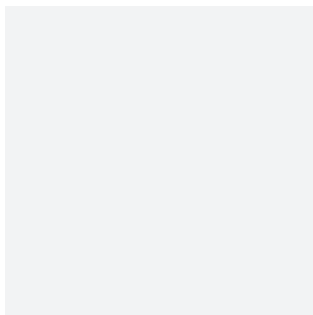
OCTO IP65 Smart Surface PIR Sensor

Code: AOCTO/BT/PIR/IP65-S

Category Smart Lighting

Application Commercial, Hospitality, Retail

Specification Architectural



- Bluetooth enabled surface and recessed smart PIR sensors for use with OCTO Casambi ecosystem and suitable for commercial applications
- Suitable for residential and commercial applications
- Detection range strength: 1) Strong detection zone(5m) i.e. person ular to PIRwalking towards PIR 2) Secondary detection zone (10m, 8m) i.e. person walking perpendic
- Compatible with all other bluetooth OCTO Casambi devices as part of the OCTO Casambi ecosystem
- Infrared PIR detector and photocell

GENERAL INFORMATION

Input 220-240V

Operating Temp -20°C - 40°C

Product Weight without Packaging 0.057

TECHNICAL INFORMATION

Colour / Finish Black

IP Rating IP65

Class Protection 2

Internal / External External

Surface / Recessed / Suspended Pole

Warranty (Years) 5

CE Mark Yes

Height 75 mm

