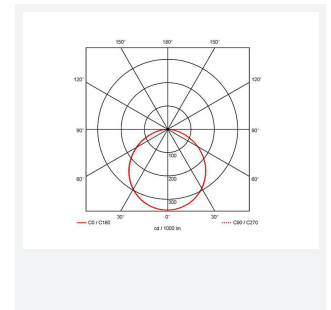
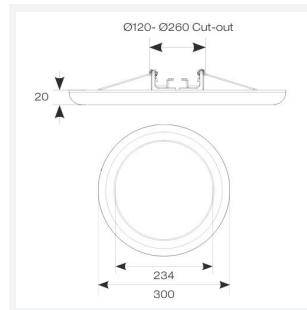
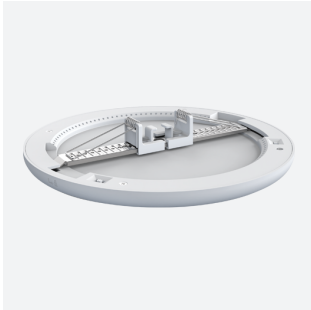




Anzo

Category	Downlights
Application	Ancillary, Commercial, Residential, Retail
Specification	Performance

Code: ANZOLED300/CCT/DIM



- Ultra-slim adjustable LED performance downlight suitable for semi-commercial and residential applications
- Innovative bracket / spring design for variable cut-outs from 120-260mm
- Integral switches for multiple wattages and selectable CCT
- Pre-wired with 300mm cable

GENERAL INFORMATION

Wattage	22W
Lumens Delivered	2600lm (4000K)
Lm/W	116lm/W (4000K)
Beam Angle	110
CRI	80
CCT	3000/4000/6000K
Input	220-240V
Operating Temp	-10°C - 40°C
SDCM	6
UGR	25
Cut-Out Size	120-260mm
Product Weight without Packaging	0.68 kg

TECHNICAL INFORMATION

Light Source	LED
Colour / Finish	White
IP Rating	IP20
Class Protection	2
Internal / External	Internal
Surface / Recessed / Suspended	Ceiling, Recessed
Lumen Depreciation	L70 54,000h
Warranty (Years)	3
CE Mark	Yes
Diameter	300 mm
Height	20 mm

