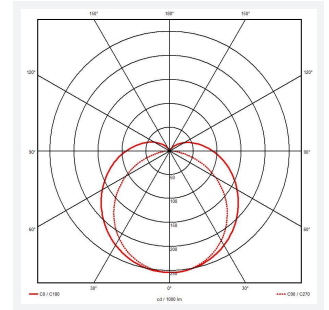
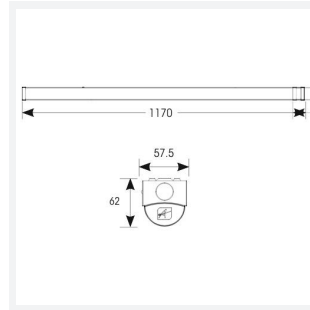


NouLine

Category	Battens and Weatherproofs
Application	Ancillary, Commercial, Industrial
Specification	Performance

Code: ANOU4/2/MWS/SM3



- High performance LED batten suitable for industrial applications and ancillary areas
- Excellent light uniformity through high transmittance polycarbonate diffuser
- Push fit terminals for ease and speed of installation
- Non-dimmable
- High efficiency up to 140lm/W
- Instant light output with unlimited switching
- Multiple conduit entry and BESA fixing points

GENERAL INFORMATION

Wattage	19W/38W
Lumens Delivered	2600lm - 5100lm (4000K)
Lm/W	140lm/W
Beam Angle	110/150
CRI	80
CCT	3000K/4000K/6500K
Input	220-240V
Operating Temp	0°C - 30°C
SDCM	6

TECHNICAL INFORMATION

Light Source	LED
Colour / Finish	White
IP Rating	IP20
Class Protection	1
Internal / External	Internal
Surface / Recessed / Suspended	Ceiling, Suspended
Lumen Depreciation	L70 54,000h
Warranty (Years)	5
CE Mark	Yes

