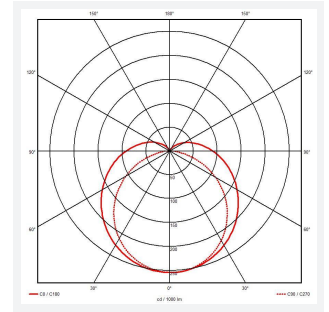
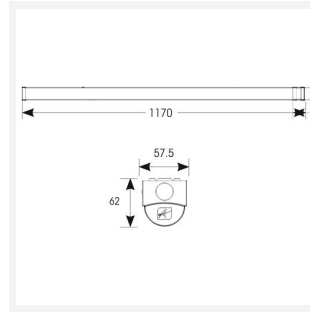


# NouLine

NouLine Batten 1200mm High Output Self-Test  
Code: ANOU2X4/1/SM3

Category	Battens and Weatherproofs
Application	Ancillary, Commercial, Industrial
Specification	Performance



## PRODUCT FEATURES

- High performance LED batten suitable for industrial applications and ancillary areas
- Excellent light uniformity through high transmittance polycarbonate diffuser
- Push fit terminals for ease and speed of installation
- Non-dimmable
- High efficiency up to 140lm/W
- Instant light output with unlimited switching
- Multiple conduit entry and BESA fixing points

GENERAL INFORMATION	
Wattage	38W
Lumens Delivered	5000lm
Lm/W	130lm/W
Beam Angle	110/150
CRI	80
CCT	4000K
Input	220/240V
Operating Temp	0°C - 30°C
SDCM	6
Energy efficiency class	D
Product Weight without Packaging	1.112 kg

TECHNICAL INFORMATION	
Light Source	LED
Colour / Finish	White
IP Rating	IP20
Class Protection	1
Internal / External	Internal
Surface / Recessed / Suspended	Ceiling, Suspended
Lumen Depreciation	L70 54,000h
Warranty (Years)	5
CE Mark	Yes
Height	62 mm

