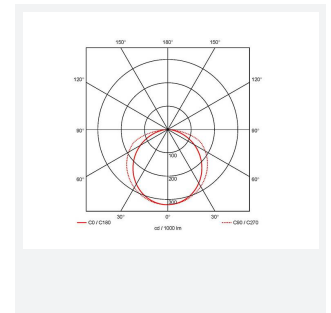
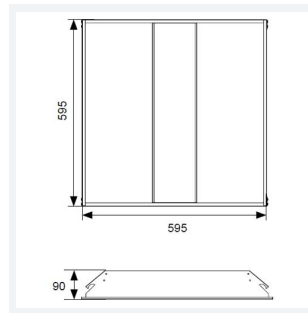


Neptune

Neptune CCT Recessed Modular DALI
Code: ANEPLD/DD3/M3

Category	Commercial Panels
Application	Commercial, Education, Healthcare
Specification	Performance



PRODUCT FEATURES

- High performance recessed luminaire Ideal for office or commercial applications
- Powder coated steel construction
- Selectable CCT between 3000K, 4000K and 6000K output
- Powered by Tridonic

GENERAL INFORMATION	
Wattage	35W
Lumens Delivered	3600lm (4000K)
Lm/W	99lm/W (4000K)
Beam Angle	110/130
CRI	80
CCT	3000/4000/6000K
Input	220/240V
Operating Temp	0°C - 45°C
SDCM	6
UGR	20
Cut-Out Size	575x575mm
Product Weight without Packaging	3.036 kg

TECHNICAL INFORMATION	
Light Source	LED
Colour / Finish	White
IP Rating	IP20
Class Protection	2
Internal / External	Internal
Surface / Recessed / Suspended	Recessed
Lumen Depreciation	L80 54,000h
Warranty (Years)	5
CE Mark	Yes
Height	90 mm

