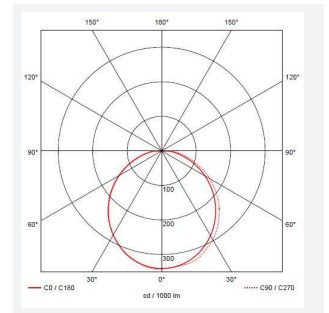
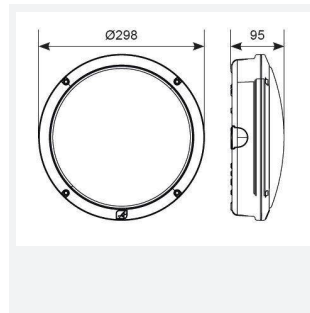




Nappa

Nappa CCT Multi Wattage Microwave Sensor
Code: ANAPLED/B/MWS

Category	Bulkheads
Application	Ancillary, Commercial, Education, Healthcare, Hospitality, Industrial, Outdoor, Retail
Specification	Performance



PRODUCT FEATURES

- IP66 rated die-cast aluminium wall light with opal polycarbonate diffuser suitable for education, commercial and industrial applications
- One product with integral switches for multi-wattage and selectable CCT options
- Powered by Tridonic
- Tamper-proof stainless steel allen key screws
- Non-dimmable

GENERAL INFORMATION	
Wattage	18W - 27W
Lumens Delivered	2500lm - 3500lm (4000K)
Lm/W	134lm/W - 127lm/W(4000K)
Beam Angle	110
CRI	80
CCT	3000/4000K
Input	220-240V
Operating Temp	-20°C - 40°C
SDCM	5
Product Weight without Packaging	2.254 kg

TECHNICAL INFORMATION	
Light Source	LED
Colour / Finish	Black
IP Rating	IP66
Class Protection	1
Internal / External	External
Surface / Recessed / Suspended	Ceiling, Wall
Lumen Depreciation	L70 60,000h
Warranty (Years)	5
CE Mark	Yes
Diameter	298 mm

