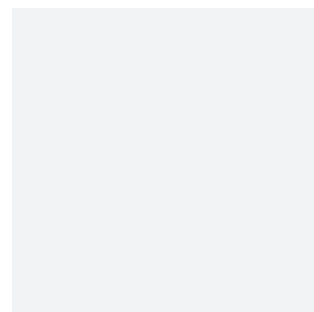
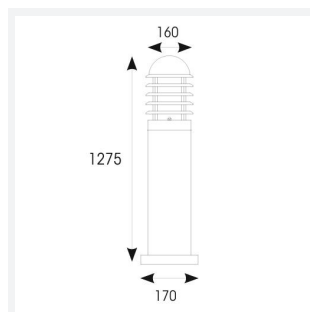




Murcia

Murcia Bollard 1275mm Black
Code: AMUR100/1/B

Category	Bollards
Application	Hospitality, Outdoor, Residential, Retail
Specification	Architectural



PRODUCT FEATURES

- Die-cast aluminium bollard suitable for residential, hospitality and commercial applications (supplied less lamp)
- Textured black powder coat finish
- Four pillar head design with opal polycarbonate diffuser
- Option to add OCTO Connected by WiZ A60 smart lamp

GENERAL INFORMATION

Input	220/240V
Operating Temp	-10°C - 40°C
Product Weight without Packaging	2.66 kg

TECHNICAL INFORMATION

Light Source	E27
Colour / Finish	Black
IP Rating	IP44
Class Protection	1
Internal / External	External
Surface / Recessed / Suspended	Floor
Warranty (Years)	5
CE Mark	Yes
Diameter	170 mm
Height	1,275 mm

