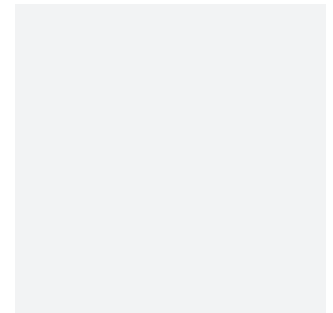
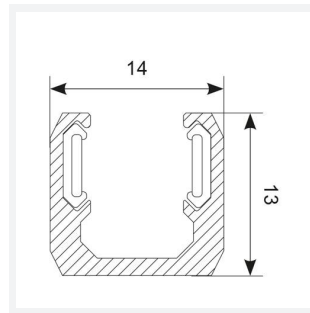




# Mini 24V Single Circuit Track

Mini 24V Single Circuit Track Black  
Code: AMT1/B/24V

Category	Track Lighting
Application	Ancillary, Hospitality, Residential, Retail
Specification	Architectural



## PRODUCT FEATURES

- Mini 24VDC track system ideal for discrete display applications
- Range of accessories offered providing flexibility
- Track supplied c/w live and (Earth left) and dead end

### GENERAL INFORMATION

Input	24V
Operating Temp	-20°C - 25°C
Product Weight without Packaging	0.234

### TECHNICAL INFORMATION

Colour / Finish	Black
IP Rating	IP20
Class Protection	3
Internal / External	Internal
Surface / Recessed / Suspended	Ceiling
CE Mark	Yes
Height	13 mm

