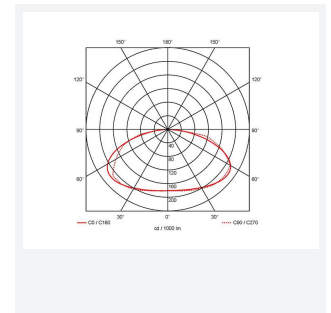
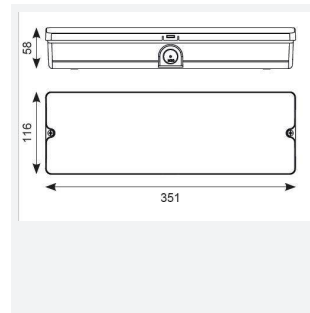




# Monarch

Monarch Bulkhead Maintained / Non-Coded  
Code: AMOLED/LI/3M/ST

Category	Emergency
Application	Ancillary, Commercial, Education, Healthcare, Hospitality, Industrial, Retail
Specification	Performance



## PRODUCT FEATURES

- Ultra-slim profile LED polycarbonate self-test bulkhead
- Supplied with self-adhesive legend
- Hinged screwless gear tray for ease of installation
- LiFePO4 Lithium battery provides improved energy consumption, product reliability and lifetime
- 20mm side, end and rear cable entries
- Viewing distance 18 metres

GENERAL INFORMATION	
Wattage	4W
Lumens Delivered	89lm
Lm/W	89lm/W
Beam Angle	120
CRI	80
CCT	6000K
Input	220/240V
Operating Temp	5°C - 40°C
SDCM	5
Product Weight without Packaging	0.458 kg

TECHNICAL INFORMATION	
Light Source	LED
Colour / Finish	White
IP Rating	IP65
Class Protection	2
Internal / External	Internal / External
Surface / Recessed / Suspended	Ceiling, Wall
Lumen Depreciation	L70 54,000h
Warranty (Years)	6
CE Mark	Yes
Height	116 mm

