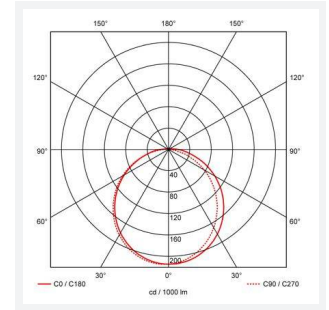
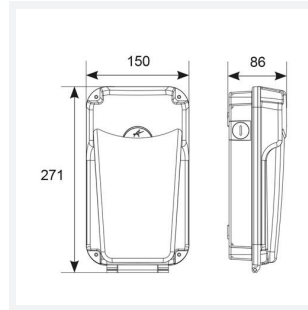




Lynx Mini

Lynx Mini CCT Wallpack Microwave Sensor
Code: AMLWPLED/CCT/MWS

Category	Bulkheads
Application	Commercial, Education, Healthcare, Hospitality, Industrial, Outdoor, Residential, Retail
Specification	Performance



PRODUCT FEATURES

- All polycarbonate vandal resistant body with fresnel lens
- Tamper-proof allen key screws supplied as standard
- Hinged front face allows for a quick and easy installation
- Photocell and sensor options
- All polycarbonate vandal resistant body with fresnel lens
- Multiple conduit entry and BESA box fixing points
- Selectable CCT between 3000K and 4000K output

GENERAL INFORMATION	
Wattage	15W
Lumens Delivered	1200lm (4000K)
Lm/W	78lm/W (4000K)
Beam Angle	25/75
CRI	80
CCT	3000/4000K
Input	220-240V
Operating Temp	-10°C - 40°C
SDCM	6
Product Weight without Packaging	0.632 kg

TECHNICAL INFORMATION	
Light Source	LED
Colour / Finish	Black
IP Rating	IP65
Class Protection	2
Internal / External	External
Surface / Recessed / Suspended	Wall
Lumen Depreciation	L70 60,000h
Warranty (Years)	5
CE Mark	Yes
Height	271 mm

