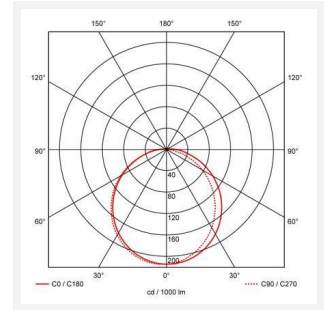
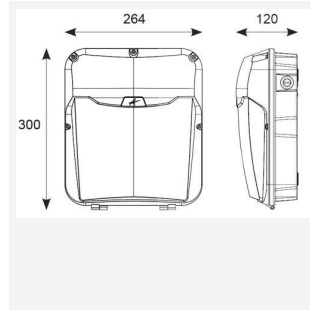




Lynx Mini

Lynx Mini CCT Wallpack Microwave Sensor
Code: AMLWPLED/CCT/MWS/PC

| | |
|----------------------|--|
| Category | Bulkheads |
| Application | Commercial, Education, Healthcare, Hospitality, Industrial, Outdoor, Residential, Retail |
| Specification | Performance |



PRODUCT FEATURES

- Robust compact wall mounted luminaire for general accent illumination and suitable for education, commercial, industrial applications
- Tamper-proof allen key screws supplied as standard
- Hinged front face allows for a quick and easy installation
- Photocell and sensor options
- All polycarbonate vandal resistant body with fresnel lens
- Multiple conduit entry and BESA box fixing points
- Selectable CCT between 3000K and 4000K output

| GENERAL INFORMATION | |
|---------------------|----------------|
| Wattage | 15W |
| Lumens Delivered | 1200lm (4000K) |
| Lm/W | 78lm/W (4000K) |
| Beam Angle | 25/75 |
| CRI | 80 |
| CCT | 3000/4000K |
| Input | 220-240V |
| Operating Temp | -10°C - 40°C |
| SDCM | 6 |

| TECHNICAL INFORMATION | |
|--------------------------------|-------------|
| Light Source | LED |
| Colour / Finish | Black |
| IP Rating | IP65 |
| Class Protection | 2 |
| Internal / External | External |
| Surface / Recessed / Suspended | Wall |
| Lumen Depreciation | L70 60,000h |
| Warranty (Years) | 5 |
| CE Mark | Yes |
| Height | 271 mm |

