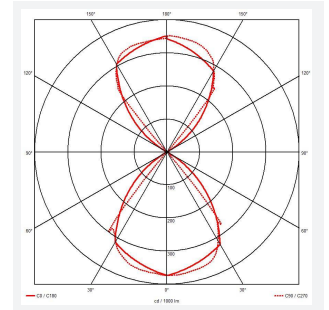
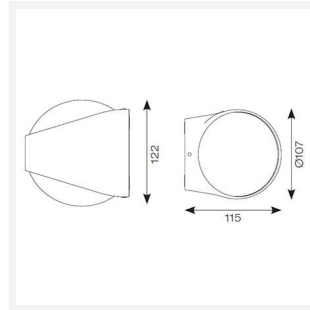
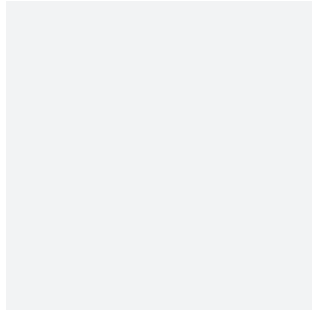


Misano Curve

| | |
|---------------|----------------------------------|
| Category | Wall Lights |
| Application | Commercial, Outdoor, Residential |
| Specification | Architectural |

Code: AMISACU/GR/WW



- Architectural, modern exterior bi-directional curved wall light suitable for semi-commercial and residential applications
- Available in 3000K and 4000K options
- Die-cast aluminium construction with modern graphite, black or rust finishes
- Non-dimmable

| GENERAL INFORMATION | |
|----------------------------------|--------------|
| Wattage | 11W |
| Lumens Delivered | 1100lm |
| Lm/W | 100lm/W |
| Beam Angle | 100 |
| CRI | 80 |
| CCT | 3000K |
| Input | 220-240V |
| Operating Temp | -10°C - 40°C |
| SDCM | 4 |
| Product Weight without Packaging | 1.002 kg |

| TECHNICAL INFORMATION | |
|--------------------------------|-------------|
| Light Source | LED |
| Colour / Finish | Graphite |
| IP Rating | IP65 |
| Class Protection | 1 |
| Internal / External | External |
| Surface / Recessed / Suspended | Wall |
| Lumen Depreciation | L80 50,000h |
| Warranty (Years) | 3 |
| CE Mark | Yes |
| Height | 122 mm |

