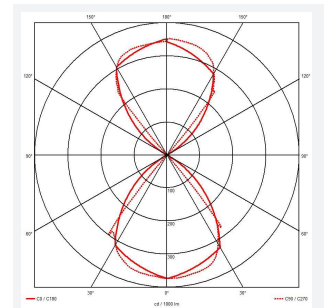
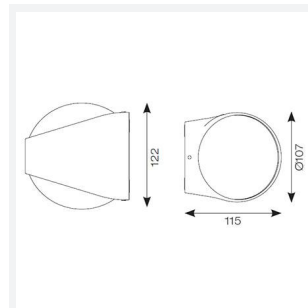
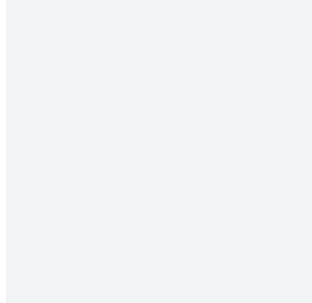


Misano Curve

Category	Wall Lights
Application	Commercial, Outdoor, Residential
Specification	Architectural

Code: AMISACU/BL/WW



- Architectural, modern exterior bi-directional curved wall light suitable for semi-commercial and residential applications
- Available in 3000K and 4000K options
- Die-cast aluminium construction with modern graphite, black or rust finishes
- Non-dimmable

GENERAL INFORMATION	
Wattage	11W
Lumens Delivered	1100lm
Lm/W	100lm/W
Beam Angle	100
CRI	80
CCT	3000K
Input	220-240V
Operating Temp	-10°C - 40°C
SDCM	4
Product Weight without Packaging	1.002 kg

TECHNICAL INFORMATION	
Light Source	LED
Colour / Finish	Black
IP Rating	IP65
Class Protection	1
Internal / External	External
Surface / Recessed / Suspended	Wall
Lumen Depreciation	L80 50,000h
Warranty (Years)	3
CE Mark	Yes
Height	122 mm

