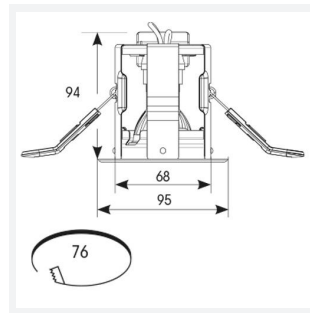




iCage Mini GU10 Fire Rated Gimbal

iCage Mini GU10 Die-Cast Fire Rated Gimbal
Code: AMICG/CH

| | |
|---------------|--------------------------------|
| Category | Downlights |
| Application | Ancillary, Residential, Retail |
| Specification | Architectural |



PRODUCT FEATURES

- Compact Fire Rated gimbal for shallow ceiling voids suitable for residential and hospitality applications (product supplied less lamp)
- Protective polycarbonate spring clip covers for ceiling protection and ease of installation
- Extra large terminals for fast loop-in, loop-out wiring
- Ultra-slim bezel profile
- Suitable for standard GU10 LED or halogen lamps retrofit
- Dedicated forward heat lamps NOT required
- Twistlock lamp retaining ring for ease of lamp replacement
- Option to add Bluetooth and WiFi enabled smart WiZ GU10 lamp

| GENERAL INFORMATION | |
|----------------------------------|------------|
| Wattage | 50W |
| Input | 220-240V |
| Operating Temp | 0°C - 25°C |
| Cut-Out Size | 76mm |
| Product Weight without Packaging | 0.271 kg |

| TECHNICAL INFORMATION | |
|--------------------------------|----------|
| Light Source | GU10 |
| Colour / Finish | Chrome |
| Fire Rated | Yes |
| IP Rating | IP20 |
| Class Protection | 1 |
| Internal / External | Internal |
| Surface / Recessed / Suspended | Recessed |
| Warranty (Years) | Life |
| CE Mark | Yes |
| Diameter | 95 mm |
| Height | 80 mm |

