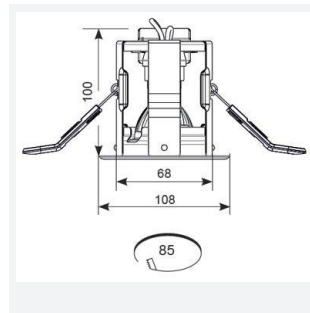




iCage Mini IP65 GU10 Fire Rated

iCage Mini IP65 GU10 Die-Cast Fire Rated
Code: AMICD/IP65/CH

Category	Downlights
Application	Ancillary, Residential, Retail
Specification	Architectural



PRODUCT FEATURES

- Compact Fire Rated IP65 downlight for shallow ceiling voids suitable for residential and hospitality applications (product supplied less lamp)
- Protective polycarbonate spring clip covers for ceiling protection and ease of installation
- Extra large terminals for fast loop-in, loop-out wiring
- Ultra-slim bezel profile
- Suitable for standard GU10 LED or halogen lamps retrofit
- Dedicated forward heat lamps NOT required
- Twistlock lamp retaining ring for ease of lamp replacement
- Option to add Bluetooth and WiFi enabled smart WiZ GU10 lamp

GENERAL INFORMATION	
Wattage	50W
Input	220-240V
Operating Temp	0°C - 25°C
Cut-Out Size	85mm
Product Weight without Packaging	0.328 kg

TECHNICAL INFORMATION	
Light Source	GU10
Colour / Finish	Chrome
Fire Rated	Yes
IP Rating	IP65
Class Protection	1
Internal / External	Internal
Surface / Recessed / Suspended	Recessed
Warranty (Years)	Life
CE Mark	Yes
Diameter	108 mm
Height	100 mm

