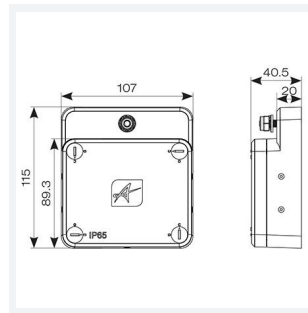




Mini Floodlight Wall Box

Category	Floodlights
Application	Hospitality, Residential, Retail
Specification	Performance

IP65 Mini FloodBox
Code: AMFLWB



PRODUCT FEATURES

- Unique, innovative IP65 adaptable installation box for mini floodlights (up to 5Kg)
- Polycarbonate construction ideal for coastal and adverse weather applications
- 20mm side and top drill outs for conduit, cable gland or sensor mounting
- IK07 impact rating offers superior product durability
- Universal mounting allows for neat, tidy and speedy installation
- Central M6 fixing bolt with locking washer and shakeproof nut
- Generous, polycarbonate enclosure, suitable for housing smart wireless controls
- Captive quick-release cover screws

GENERAL INFORMATION

Product Weight without Packaging 0.042

TECHNICAL INFORMATION

Colour / Finish	Black
IP Rating	IP65
Class Protection	2
Internal / External	External
Surface / Recessed / Suspended	Wall
Warranty (Years)	5
Height	115 mm

