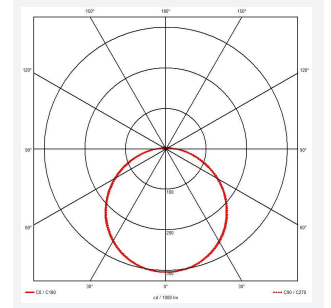
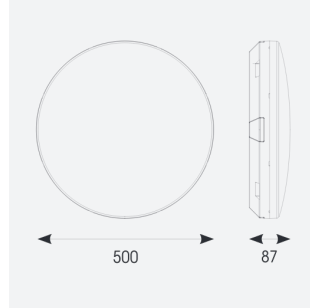
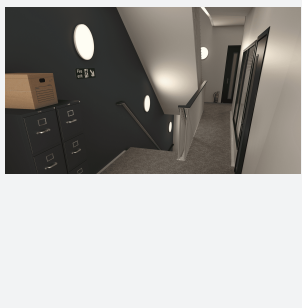




# Mercurial

Mercurial 2 IP54 2CCT Silver  
Code: AMER2/1/S

<b>Category</b>	Bulkheads
<b>Application</b>	Ancillary, Commercial, Education, Healthcare, Hospitality, Outdoor, Retail
<b>Specification</b>	Architectural



## PRODUCT FEATURES

- Utility LED wall/ceiling luminaire suitable for education and commercial applications and ancillary areas
- Corridor function options available for effective reduction in energy consumption
- Clip in gear tray ensures quick installation
- CCT selectable between 3000K and 4000K and power selectable; offering a choice of 2 outputs, in one luminaire (AMER1/1/\*\* only)
- Side conduit entry covers retain sleek appearance when not in use

GENERAL INFORMATION	
Wattage	34W
Lumens Delivered	4700lm (4000K)
Lm/W	130lm/W (4000K)
Beam Angle	120
CRI	80
CCT	3000/4000K
Input	220-240V
Operating Temp	-20°C - 40°C
SDCM	3
Product Weight without Packaging	2.2 kg

TECHNICAL INFORMATION	
Light Source	LED
Colour / Finish	Silver
IP Rating	IP54
Class Protection	2
Internal / External	Internal
Surface / Recessed / Suspended	Ceiling, Wall
Lumen Depreciation	L70 80,000h
Warranty (Years)	7
CE Mark	Yes
Diameter	500 mm

