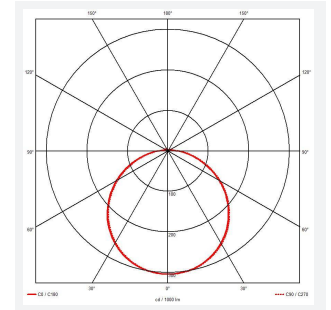
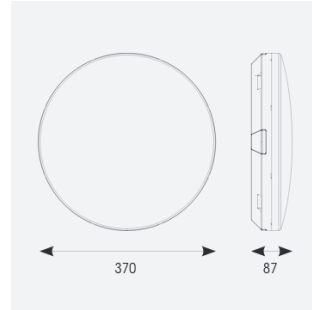
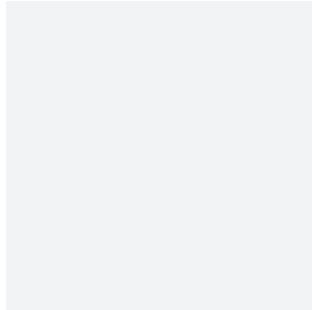
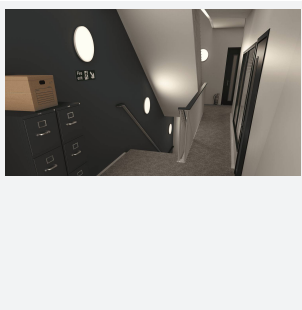


# Mercurial

Mercurial 1 IP54 2CCT Multi Wattage Silver  
Code: AMER1/1/S/MWS/SM3

|               |                                                                            |
|---------------|----------------------------------------------------------------------------|
| Category      | Bulkheads                                                                  |
| Application   | Ancillary, Commercial, Education, Healthcare, Hospitality, Outdoor, Retail |
| Specification | Architectural                                                              |



## PRODUCT FEATURES

- Utility LED wall/ceiling luminaire suitable for education and commercial applications and ancillary areas
- Corridor function options available for effective reduction in energy consumption
- Clip in gear tray ensures quick installation
- CCT selectable between 3000K and 4000K and power selectable; offering a choice of 2 outputs, in one luminaire (AMER1/1/\*\* only)
- Side conduit entry covers retain sleek appearance when not in use

| GENERAL INFORMATION              |                         |
|----------------------------------|-------------------------|
| Wattage                          | 13W - 20W               |
| Lumens Delivered                 | 1900lm - 2700lm (4000K) |
| Lm/W                             | 135lm/W (4000K)         |
| Beam Angle                       | 120                     |
| CRI                              | 80                      |
| CCT                              | 3000/4000K              |
| Input                            | 220/240V                |
| Operating Temp                   | 5°C - 40°C              |
| SDCM                             | 3                       |
| Product Weight without Packaging | 2.63 kg                 |

| TECHNICAL INFORMATION          |               |
|--------------------------------|---------------|
| Light Source                   | LED           |
| Colour / Finish                | Silver        |
| IP Rating                      | IP54          |
| Class Protection               | 2             |
| Internal / External            | Internal      |
| Surface / Recessed / Suspended | Ceiling, Wall |
| Lumen Depreciation             | L70 80,000h   |
| Warranty (Years)               | 7             |
| CE Mark                        | Yes           |
| Diameter                       | 370 mm        |

