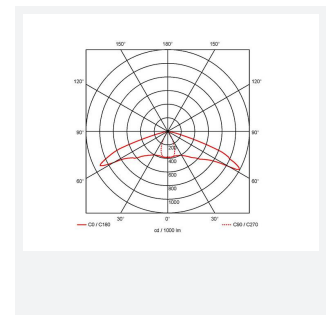
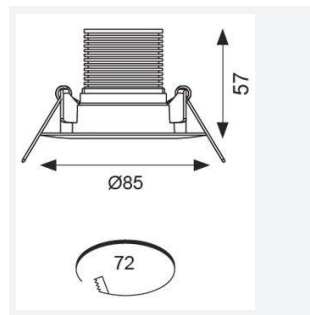




# Merlin

## Merlin Emergency Downlight Non-Maintained Code: AMELED/ER/3NM/ST

Category	Emergency
Application	Ancillary, Commercial, Education, Healthcare, Hospitality, Industrial, Retail
Specification	Performance



### PRODUCT FEATURES

- Ultra-low profile recessed self-test emergency downlight
- High specification optic design and performance allows increased spacing providing reduced cost
- Self-test as standard
- Option of escape route or open area models
- Available in black and white finishes
- Up to 17.8 metres spacing between luminaires

### GENERAL INFORMATION

Wattage	5W
Lumens Delivered	248lm (Emergency)
Beam Angle	15/135
CRI	70
CCT	6500K
Input	220/240V
Operating Temp	0°C - 40°C
SDCM	6
Cut-Out Size	72mm
Product Weight without Packaging	0.694 kg

### TECHNICAL INFORMATION

Light Source	LED
Colour / Finish	White
IP Rating	IP20
Class Protection	1
Internal / External	Internal
Surface / Recessed / Suspended	Recessed
Lumen Depreciation	L70 50,000h
Warranty (Years)	5
CE Mark	Yes
Diameter	85 mm
Height	63 mm

