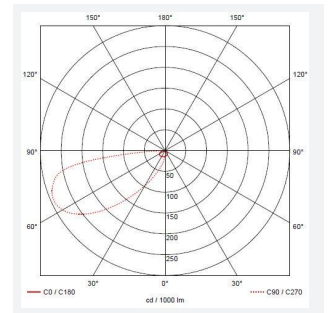
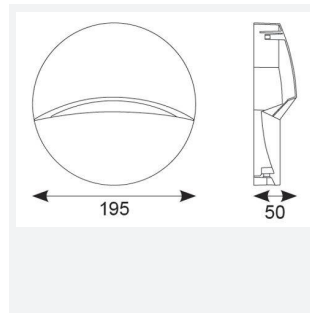




Matala

Category	Wall Lights
Application	Hospitality, Outdoor, Residential, Retail
Specification	Architectural

Code: AMATROLED



- Surface mounting ultra-slim low level circular pathway light with downward light-spill suitable for residential and hospitality applications
- Screwless front cover with concealed allen key access
- Pre-wired with 1 metre of rubber insulated cable for ease of installation
- Die-cast aluminium construction with graphite paint finish
- Selectable CCT between 3000K and 4000K
- Non-dimmable

GENERAL INFORMATION

Wattage	8
Lumens Delivered	260lm (4000K)
Lm/W	37lm/W (4000K)
CRI	80
CCT	3000K/4000K
Input	220-240V
Operating Temp	-20°C - 25°C
SDCM	3
Energy efficiency class	E
Product Weight without Packaging	0.734 kg

TECHNICAL INFORMATION

Light Source	LED
Colour / Finish	Graphite
IP Rating	IP65
Class Protection	1
Internal / External	External
Surface / Recessed / Suspended	Wall
Warranty (Years)	3
CE Mark	Yes
Diameter	195 mm

