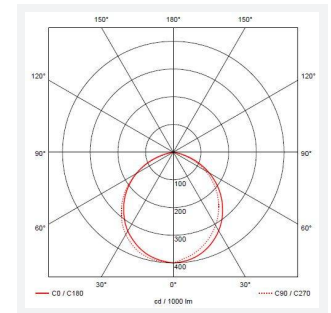
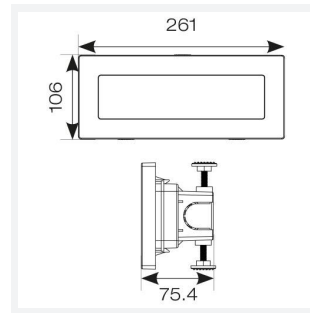
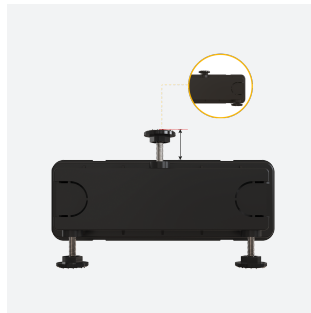


Mattone

Mattone Bricklight CCT Black
Code: AMATBLEd

Category	Feature Lighting
Application	Hospitality, Outdoor, Residential, Retail
Specification	Architectural



PRODUCT FEATURES

- Universal polycarbonate LED bricklight suitable for residential and hospitality applications
- Unique adjustable feet allows for installation into multiple brick apertures ranging from 85mm to 115mm
- Pre-wired with 500mm of rubber insulated cable
- CCT selectable between 3000K and 4000K
- Plain frame or eyelid option
- Polycarbonate construction ideal for coastal applications
- Supplied c/w installation housing for additional protection and ease of installation
- Non-dimmable

GENERAL INFORMATION	
Wattage	2W
Lumens Delivered	100lm (4000K)
Lm/W	51lm/W (4000K)
Beam Angle	100
CRI	80
CCT	3000/4000K
Input	220/240V
Operating Temp	-10°C - 40°C
SDCM	6
Product Weight without Packaging	0.56 kg

TECHNICAL INFORMATION	
Light Source	LED
Colour / Finish	Black
IP Rating	IP65
Class Protection	1
Internal / External	External
Surface / Recessed / Suspended	Recessed
Lumen Depreciation	L70 54,000h
Warranty (Years)	3
CE Mark	Yes
Height	106 mm

