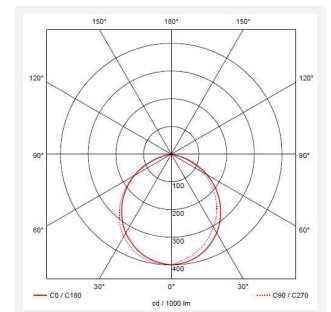
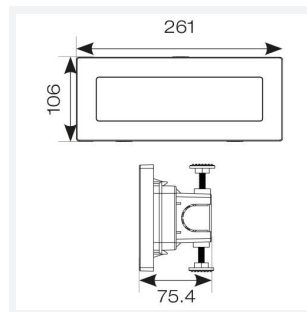


OCTO Mattone Connected by WIZ

OCTO Mattone Connected by WIZ
Code: AMATBLEDOCTOW/RGBTW

Category	Feature Lighting
Application	Hospitality, Outdoor, Residential, Retail
Specification	Architectural



- Universal polycarbonate LED bricklight suitable for residential and hospitality applications
- Connects directly to your WiFi network using Bluetooth technology to support seamless pairing
- Unique adjustable feet allows for installation into multiple brick apertures ranging from 85mm to 115mm
- Pre-wired with 500mm of rubber insulated cable
- Create the ambience of your choice with 16 million colours, as well as warm to cool white light
- Tunable between 2700K - 6500K via WIZ app and voice control
- Polycarbonate construction ideal for coastal applications
- Supplied c/w installation housing for additional protection and ease of installation

GENERAL INFORMATION

Wattage	4W
Lumens Delivered	75lm - 80lm (2700K - 6500K)
Lm/W	20lm/w
Beam Angle	100
CRI	80
CCT	2700-6500K
Input	220-240V
Operating Temp	-10°C - 40°C
SDCM	6
Energy efficiency class	G
Product Weight without Packaging	0.56 kg

TECHNICAL INFORMATION

Light Source	LED
Colour / Finish	Black
IP Rating	IP65
Class Protection	1
Internal / External	External
Surface / Recessed / Suspended	Recessed
Lumen Depreciation	L70 36,000h
Warranty (Years)	3
CE Mark	Yes
Height	75.4 mm

