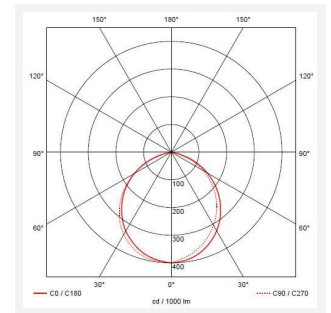
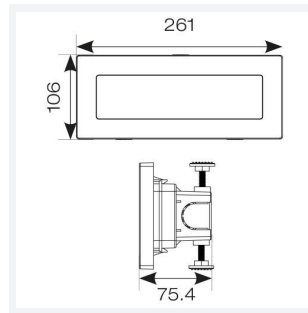
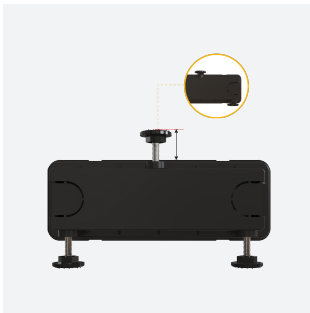


# Mattone

Mattone Bricklight CCT Brushed Chrome  
Code: AMATBLED/BC

Category	Feature Lighting
Application	Hospitality, Outdoor, Residential, Retail
Specification	Architectural



- Universal polycarbonate LED bricklight suitable for residential and hospitality applications
- Polycarbonate construction ideal for coastal applications
- Supplied c/w installation housing for additional protection and ease of installation
- Non-dimmable
- Unique adjustable feet allows for installation into multiple brick apertures ranging from 85mm to 115mm
- Pre-wired with 500mm of rubber insulated cable
- CCT selectable between 3000K and 4000K

GENERAL INFORMATION	
Wattage	2W
Lumens Delivered	100lm (4000K)
Lm/W	51lm/W (4000K)
Beam Angle	100
CRI	80
CCT	3000/4000K
Input	220-240V
Operating Temp	-10°C - 40°C
SDCM	6
Product Weight without Packaging	0.56 kg

TECHNICAL INFORMATION	
Colour / Finish	Brushed Chrome
IP Rating	IP65
Class Protection	1
Internal / External	External
Warranty (Years)	3
CE Mark	Yes
Height	75.4 mm

