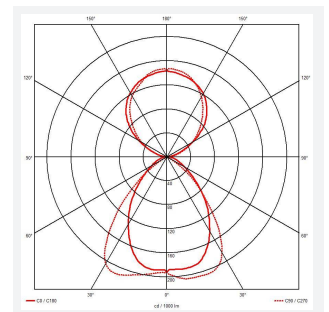
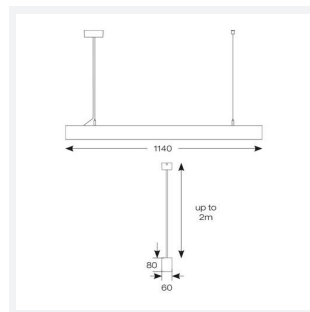


Marlo

Marlo Bi-directional Linear UGR<19 1200mm DALI
Code: AMARLED4/CW/DD3

Category	Commercial Linear
Application	Ancillary, Commercial, Education, Healthcare, Retail
Specification	Architectural



PRODUCT FEATURES

- Aluminium bi-directional suspended pendant suitable for commercial applications
- High output, high efficiency 90° lens technology offers optimum glare control and comfort for task / office applications.
- Adjustable suspension points c/w suspension kit
- Supplied bidirectional light output as standard (directional only option can be selected if required)
- Pre-wired with 2 metre cable
- Powered by Tridonic

GENERAL INFORMATION	
Wattage	38W
Lumens Delivered	3700lm
Lm/W	98lm/W
Beam Angle	90
CRI	90
CCT	4000K
Input	220/240V
Operating Temp	0°C - 25°C
SDCM	3
UGR	16
Product Weight without Packaging	3.36 kg

TECHNICAL INFORMATION	
Light Source	LED
Colour / Finish	Black
IP Rating	IP20
Class Protection	1
Internal / External	Internal
Surface / Recessed / Suspended	Suspended
Lumen Depreciation	L80 36,000h
Warranty (Years)	5
CE Mark	Yes
Height	80 mm

