



Matrix



Part of the Cabinet and Bathroom Fittings product category

Model Matrix 3 Linklight
Code AMALL3/1
Application Hospitality, Residential, Retail

GENERAL INFORMATION

Input	220-240V
Wattage	8W
Operating Temp	-10°C - 40°C
Lumens Delivered	800lm (4000K)
lm/W	100lm/W
CCT	3000/4000K
UGR	22
Beam Angle	100/160

MATERIAL INFORMATION

Main Material	PC
Diffuser Material	PC
Product Weight without Packaging	0.188 kg
Colour / Finish	White
Height	37 mm

TECHNICAL INFORMATION

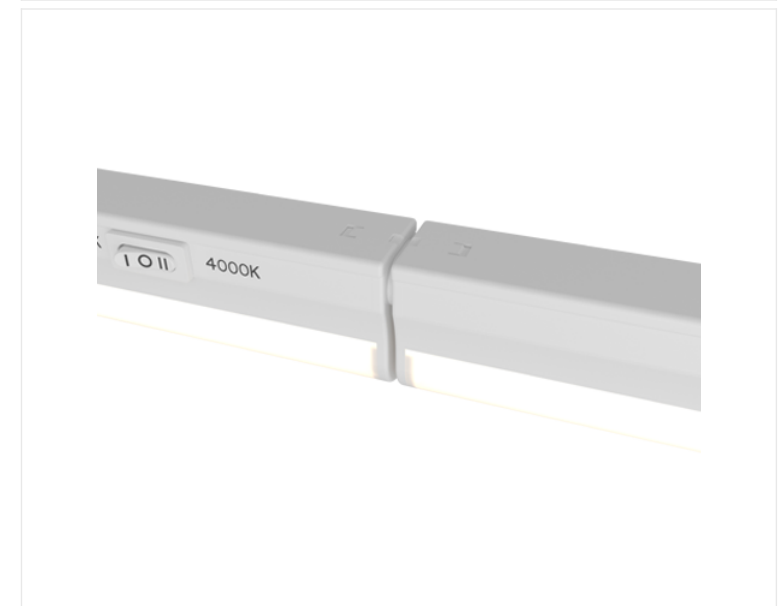
Class Protection	2
Light Source	LED
SDCM (Initial Macadam)	6
CRI	80
Internal / External	Internal
Surface / Recessed / Suspended	Ceiling, Wall
Power Factor	0.5
L70 @ 25°C	L70 B50 60,000h

PRODUCT FEATURES

- CCT Selectable LED linklight with integral driver suitable for residential and retail applications
- Side mounted switch allows installer the choice of 3000K or 4000K colour temperature options
- Moulded spine fitted with integral switch and fixed diffuser
- c/w angled and straight fixing clips
- Supplied with 230V 1.5m mains power lead and linking plug adaptor

ACCESSORIES

AMALL250/1	Matrix 250mm Link Lead
AMALL500/1	Matrix 500mm Link Lead
AMALL1000/1	Matrix 1000mm Link Lead





Matrix



Part of the Cabinet and Bathroom Fittings product category

Model	Matrix 3 Linklight
Code	AMALL3/1
Application	Hospitality, Residential, Retail

