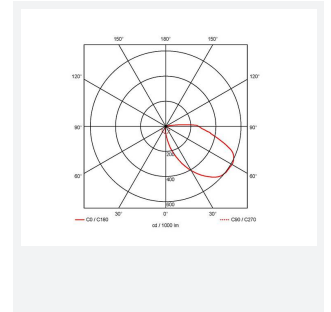
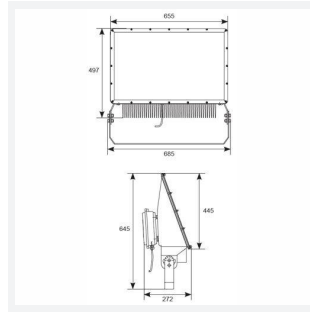
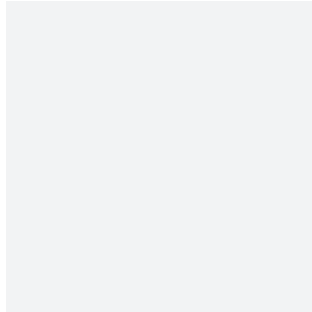
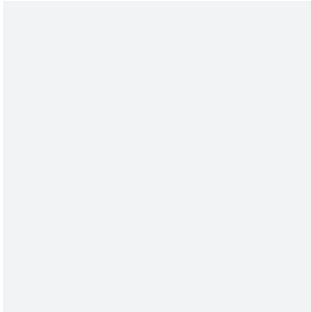


# Mira 2

Mira 2 Asymmetrical Floodlight Photocell 800W  
Code: AM2LED/ASY/800/PC

|               |             |
|---------------|-------------|
| Category      | Floodlights |
| Application   | Industrial  |
| Specification | Performance |



## PRODUCT FEATURES

- Die-cast LED floodlight for lighting for large open spaces, sports centres and industrial spaces
- Asymmetric reflector for anti-light pollution
- Textured graphite colour finish
- Non-dimmable

| GENERAL INFORMATION              |              |
|----------------------------------|--------------|
| Wattage                          | 789W         |
| Lumens Delivered                 | 109000lm     |
| Lm/W                             | 138lm/W      |
| Beam Angle                       | 90           |
| CRI                              | 70           |
| CCT                              | 5000K        |
| Input                            | 220/240V     |
| Operating Temp                   | -20°C - 50°C |
| SDCM                             | 6            |
| Product Weight without Packaging | 0.01 kg      |

| TECHNICAL INFORMATION          |             |
|--------------------------------|-------------|
| Light Source                   | LED         |
| Colour / Finish                | Graphite    |
| IP Rating                      | IP65        |
| Class Protection               | 1           |
| Internal / External            | External    |
| Surface / Recessed / Suspended | Wall        |
| Lumen Depreciation             | L70 72,000h |
| Warranty (Years)               | 5           |
| CE Mark                        | Yes         |
| Height                         | 645 mm      |

