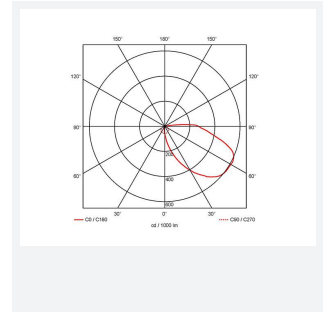
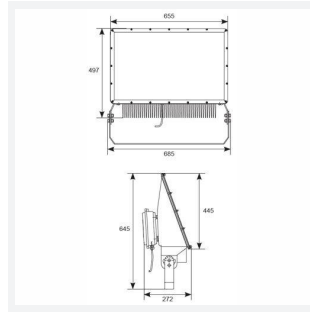
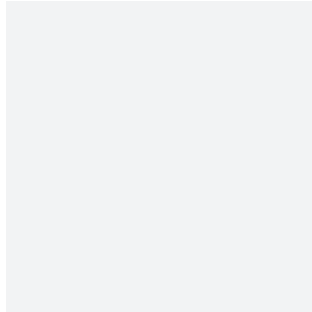
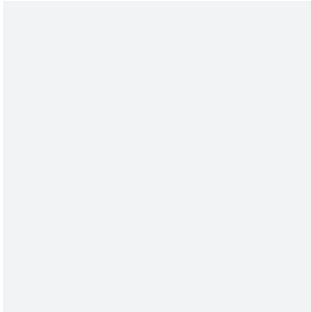


Mira 2

Mira 2 Asymmetrical Floodlight 500W Daylight
Code: AM2LED/ASY/500

Category	Floodlights
Application	Industrial
Specification	Performance



PRODUCT FEATURES

- Die-cast LED floodlight for lighting for large open spaces, sports centres and industrial spaces
- Asymmetric reflector for anti-light pollution
- Textured graphite colour finish
- Non-dimmable

GENERAL INFORMATION	
Wattage	500W
Lumens Delivered	73000lm
Lm/W	146lm/W
Beam Angle	90
CRI	70
CCT	5000K
Input	220/240V
Operating Temp	-20°C - 50°C
SDCM	6
Product Weight without Packaging	22.96 kg

TECHNICAL INFORMATION	
Light Source	LED
Colour / Finish	Graphite
IP Rating	IP65
Class Protection	1
Internal / External	External
Surface / Recessed / Suspended	Wall
Lumen Depreciation	L70 36,000h
Warranty (Years)	5
CE Mark	Yes
Height	645 mm

