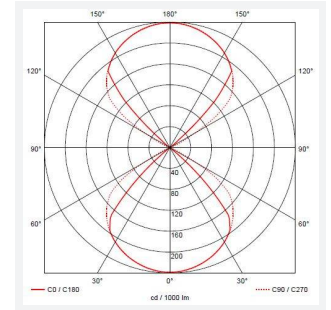
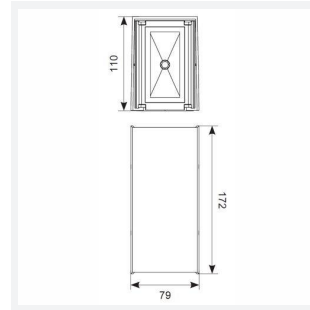
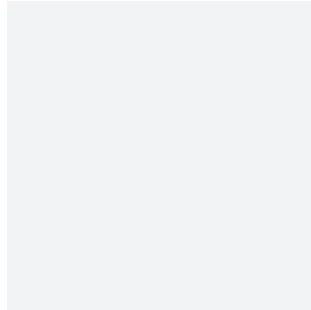
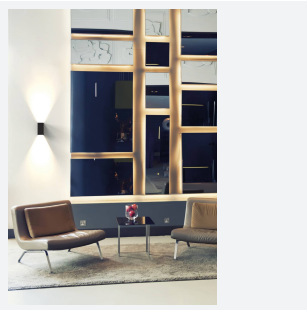




# Alto

Alto Graphite  
Code: ALTOLED

|               |   |
|---------------|---|
| Category      | Wall Lights                               |
| Application   | Hospitality, Outdoor, Residential, Retail |
| Specification | Architectural                             |



## PRODUCT FEATURES

- Surface bi-directional die-cast wall light providing adjustable beam angle suitable for residential and hospitality applications
- Minimum beam angle 0°, maximum beam angle 90°
- Non-dimmable
- Independent beam angle adjustment between up and down distribution
- Die-cast aluminium body with graphite powder coated anodized paint finish for enhanced durability

| GENERAL INFORMATION              |              |
|----------------------------------|--------------|
| Wattage                          | 6W           |
| Lumens Delivered                 | 320lm        |
| Lm/W                             | 56lm/W       |
| Beam Angle                       | 90           |
| CRI                              | 80           |
| CCT                              | 4000K        |
| Input                            | 220/240V     |
| Operating Temp                   | -20°C - 50°C |
| SDCM                             | 3            |
| Product Weight without Packaging | 1.015 kg     |

| TECHNICAL INFORMATION          |                     |
|--------------------------------|---------------------|
| Light Source                   | LED                 |
| Colour / Finish                | Graphite            |
| IP Rating                      | IP54                |
| Class Protection               | 1                   |
| Internal / External            | Internal / External |
| Surface / Recessed / Suspended | Wall                |
| Lumen Depreciation             | L80 50,000h         |
| Warranty (Years)               | 3                   |
| CE Mark                        | Yes                 |
| Height                         | 172 mm              |

