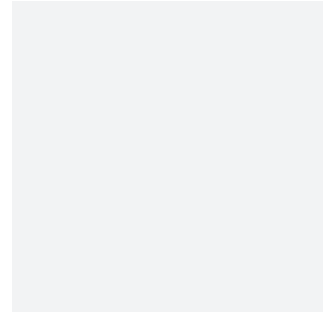
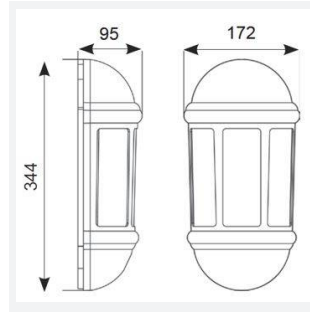




Latina E27 Half Lantern

Latina E27 Half Lantern White
Code: ALHL/WH

Category	Wall Lights
Application	Hospitality, Outdoor, Residential, Retail
Specification	Architectural



- Contemporary IP65 half lantern and resistant to corrosion suitable for commercial and residential applications (supplied less lamp)
- PIR option for convenience and security. Incorporates manual override option
- Option to add OCTO Connected by WiZ A60 filament lamp
- Textured polycarbonate finish and tinted lens
- Colour matching PIR lens cover ensures discreet appearance

GENERAL INFORMATION

Input	220-240V
Operating Temp	5°C - 25°C
Product Weight without Packaging	0.656 kg

TECHNICAL INFORMATION

Light Source	E27
Colour / Finish	White
IP Rating	IP65
Class Protection	2
Internal / External	External
Surface / Recessed / Suspended	Wall
Warranty (Years)	3
CE Mark	Yes
Height	344 mm

